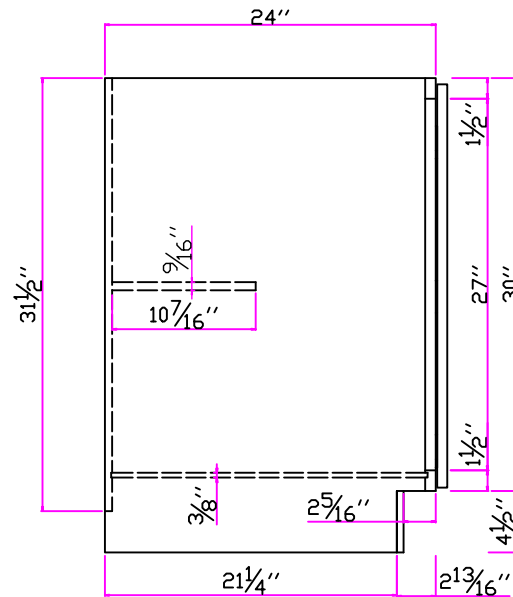
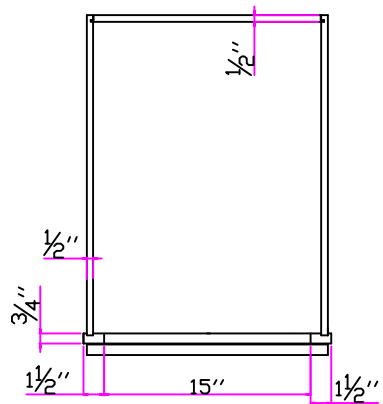
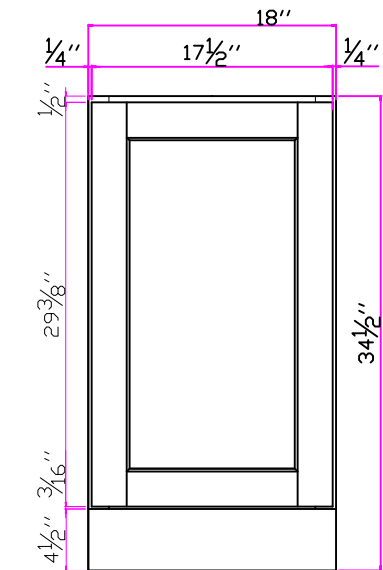


**REVISIONS**




**MJS**

**B09-FH**

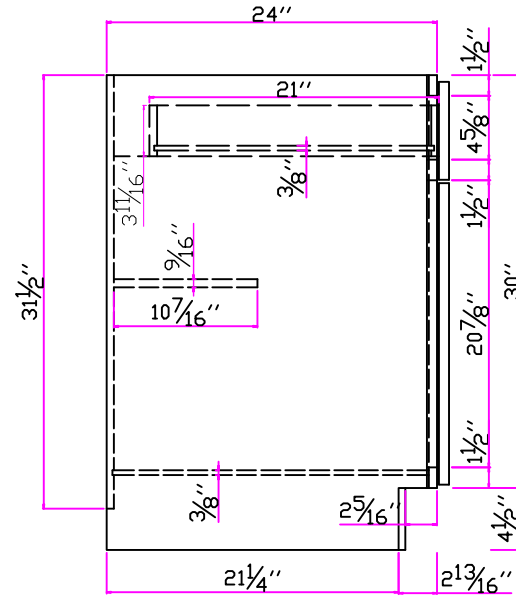
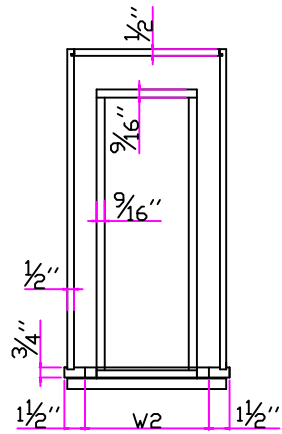
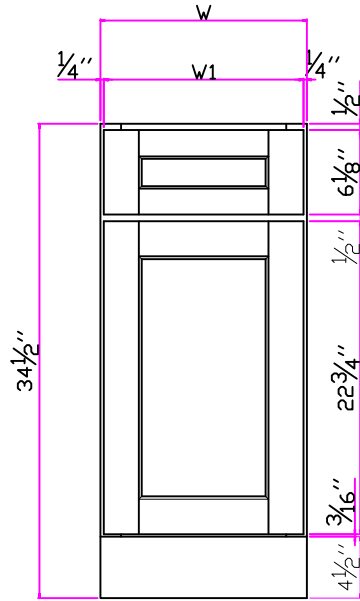


REVISIONS




MJS

B18-FH

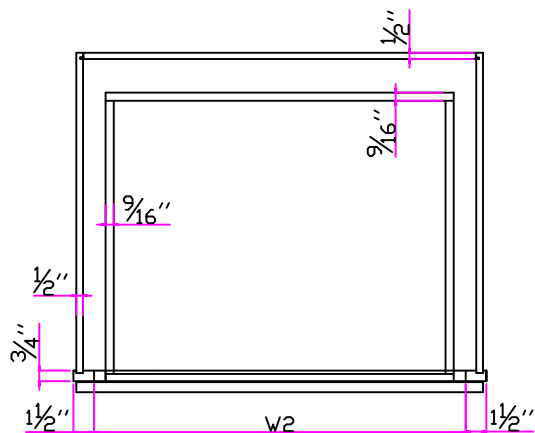
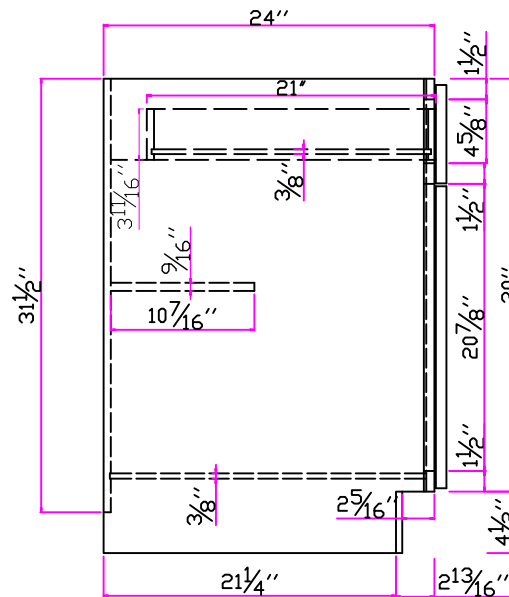
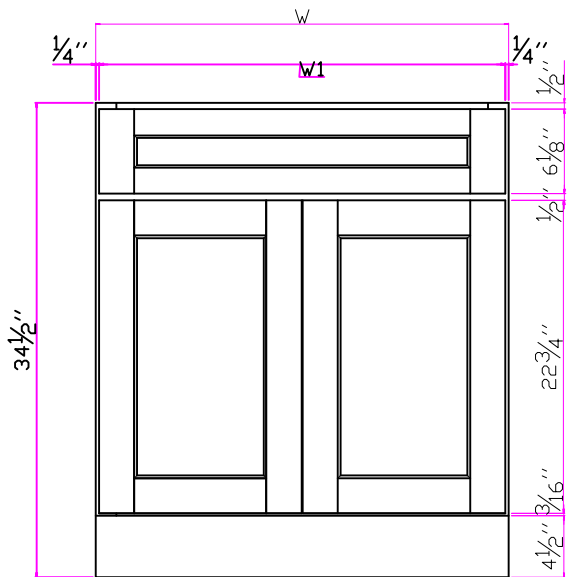


REVISIONS



MJS

B12-B21

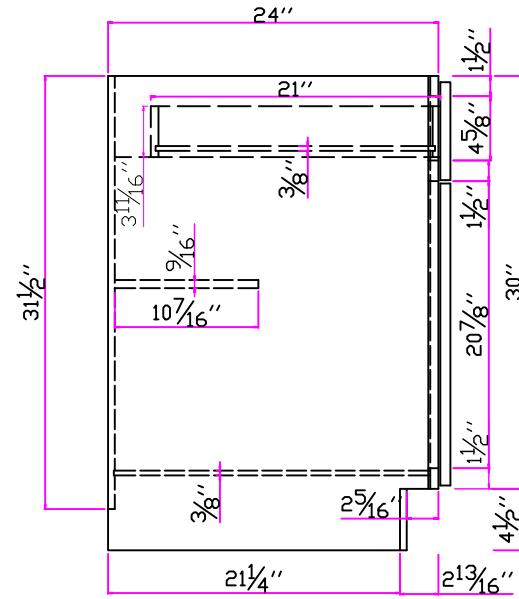
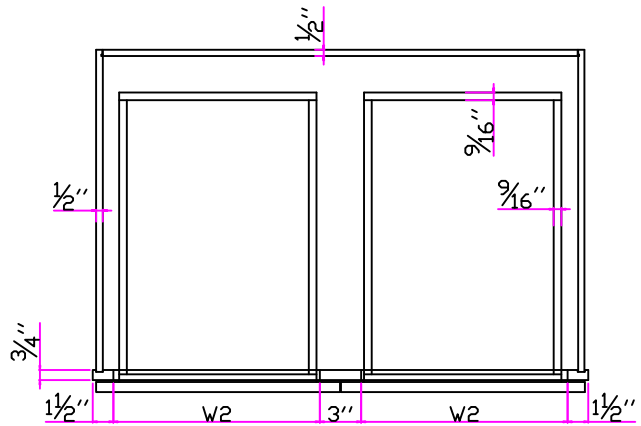
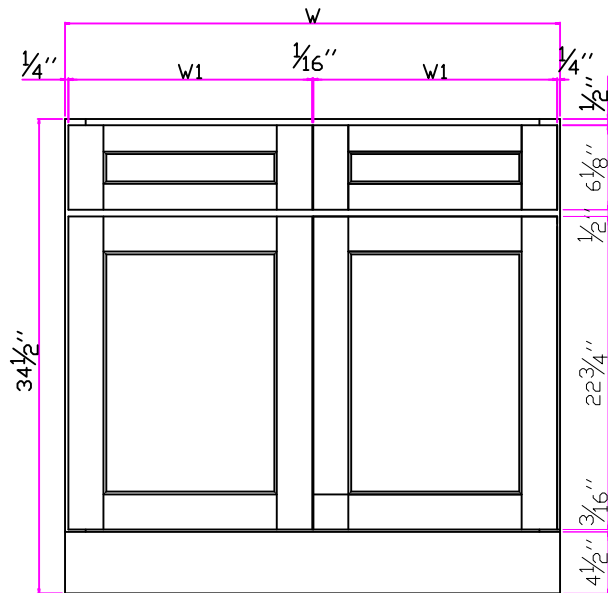


REVISIONS



MJS

B24-B30

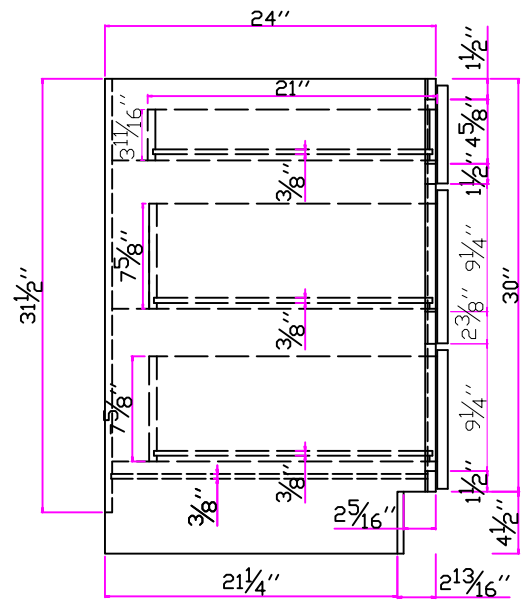
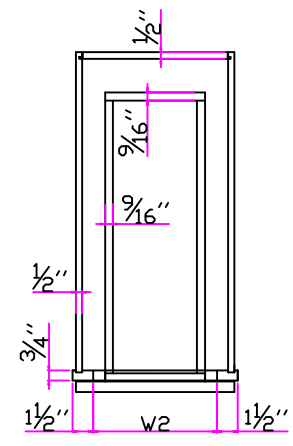
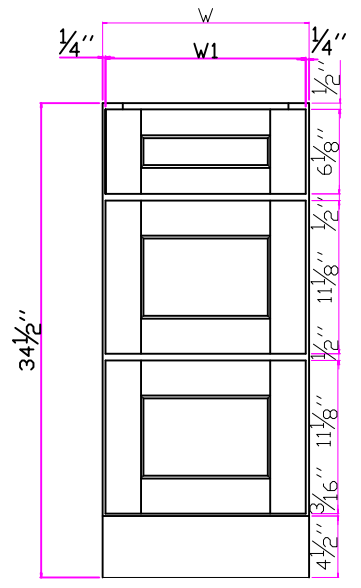


REVISIONS



MJS

B33-B36

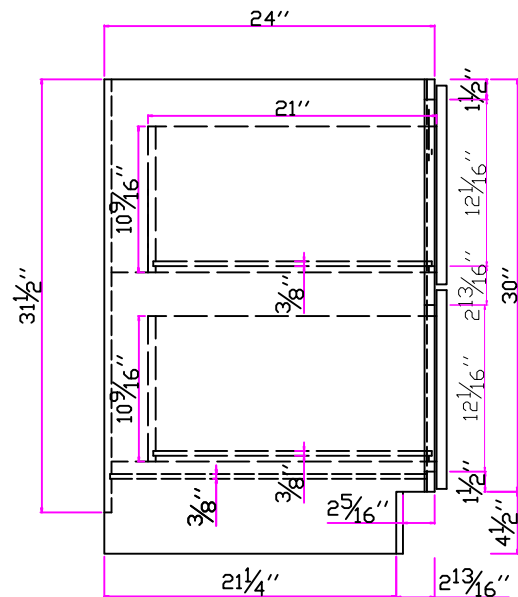
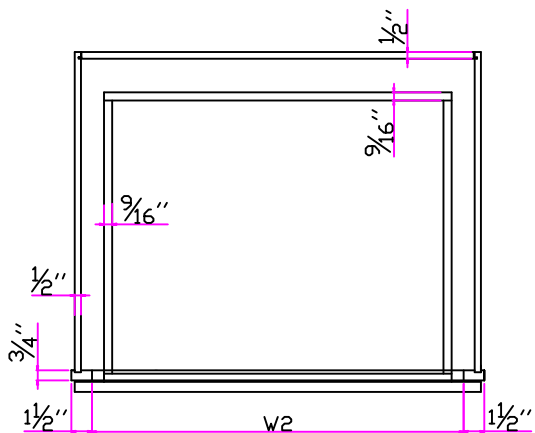
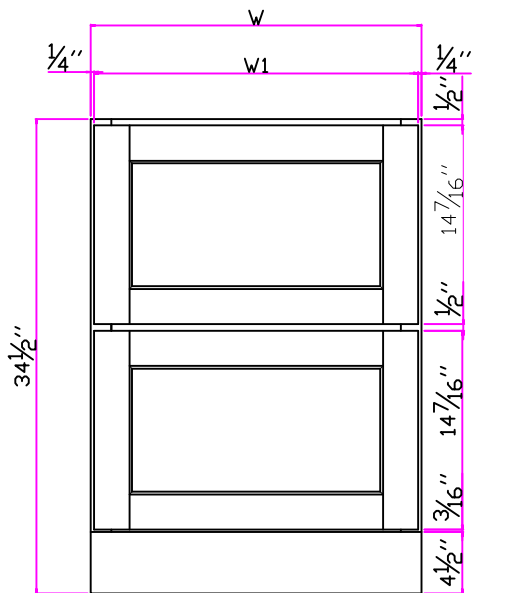


**REVISIONS**




**MJS**

**DB15-DB30**

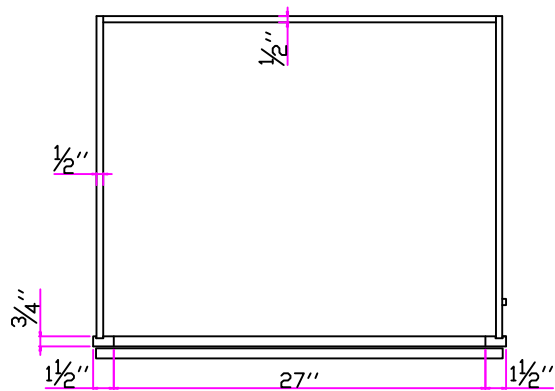
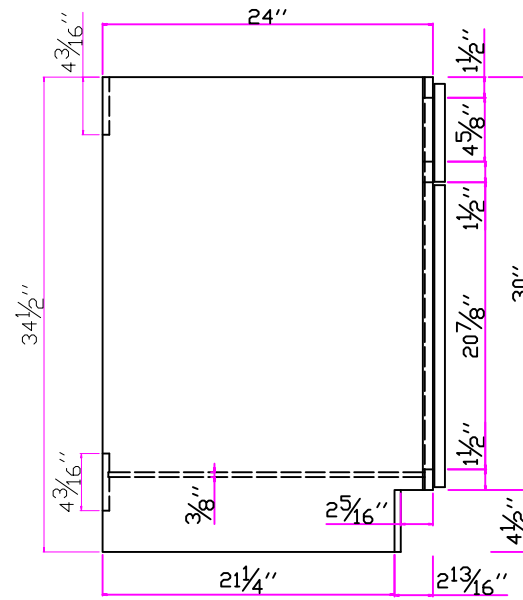
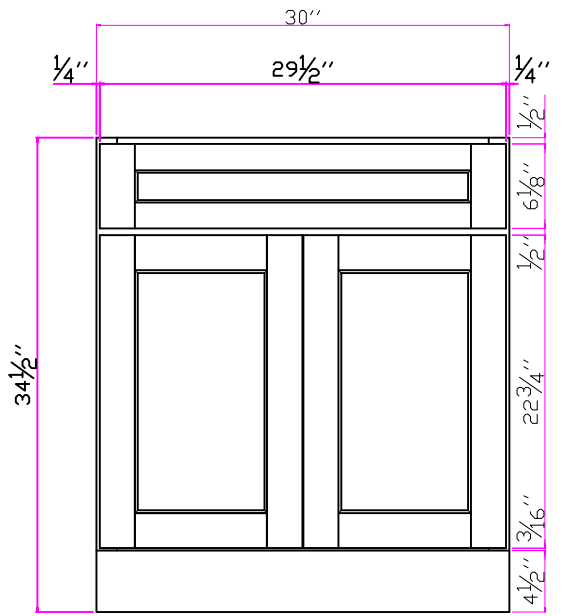


REVISIONS




MJS

DB24-2  
DB30-2



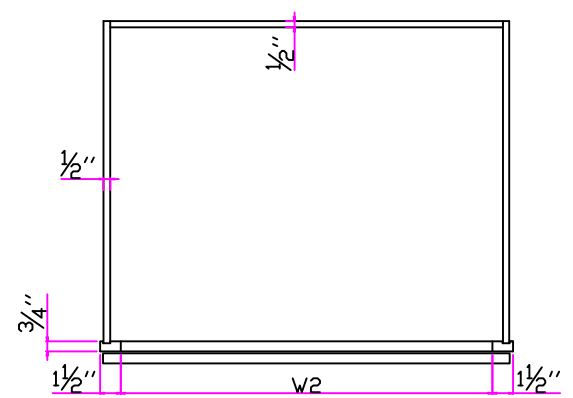
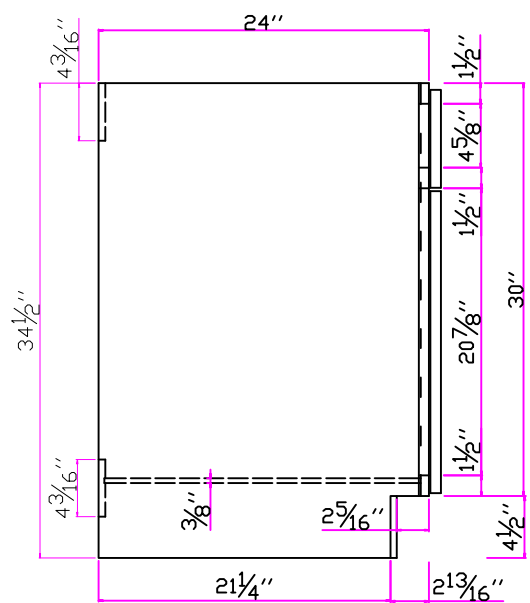
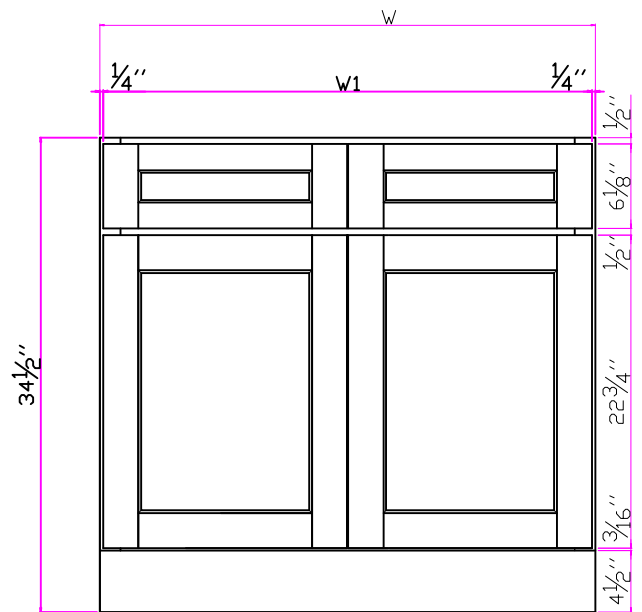
REVISIONS




MJS

SB30



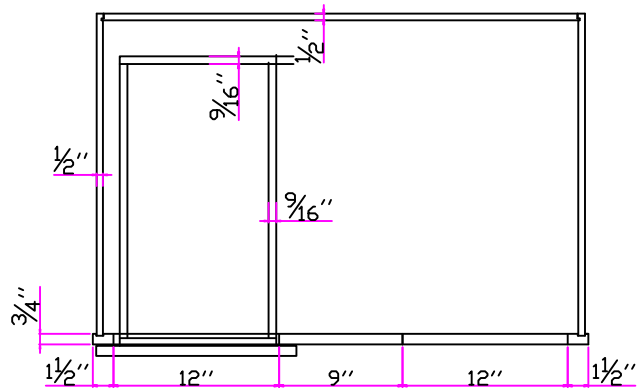
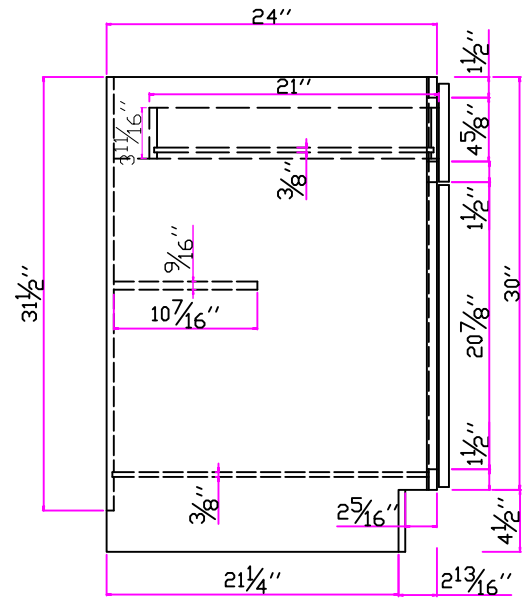
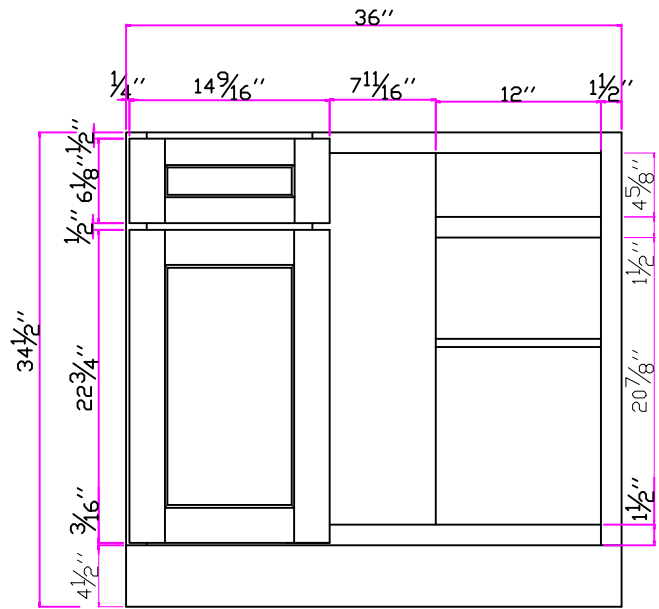


**REVISIONS**




**MJS**

**SB33-SB42**

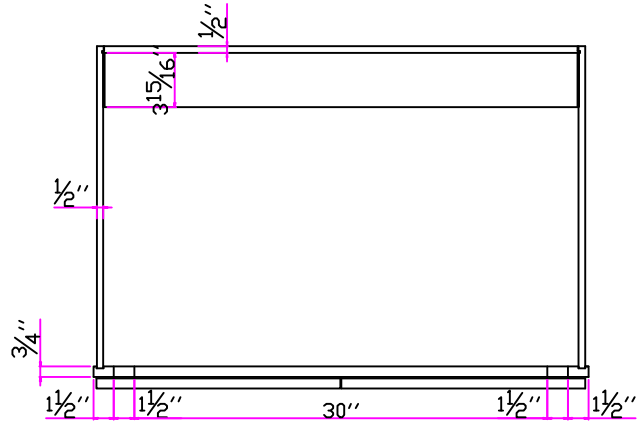
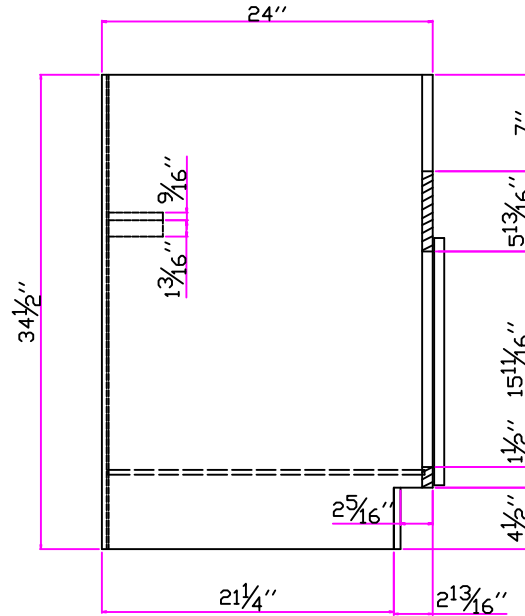
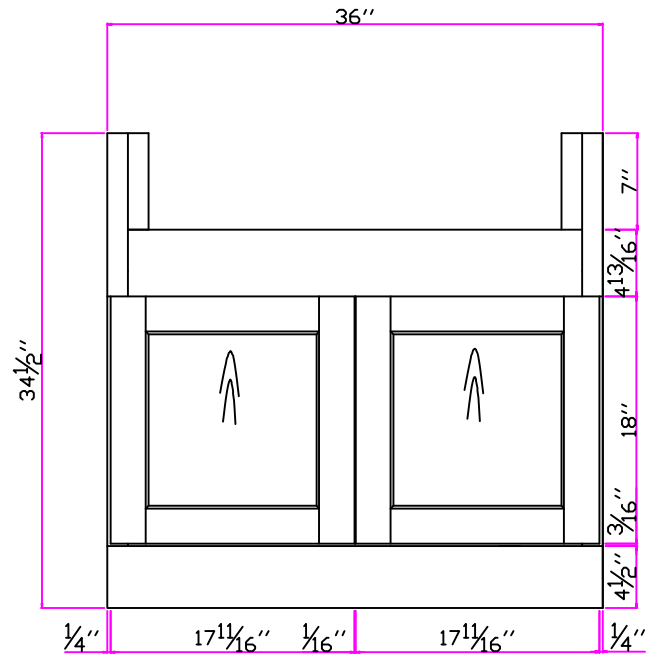


**REVISIONS**




**MJS**

**BBC42-45**

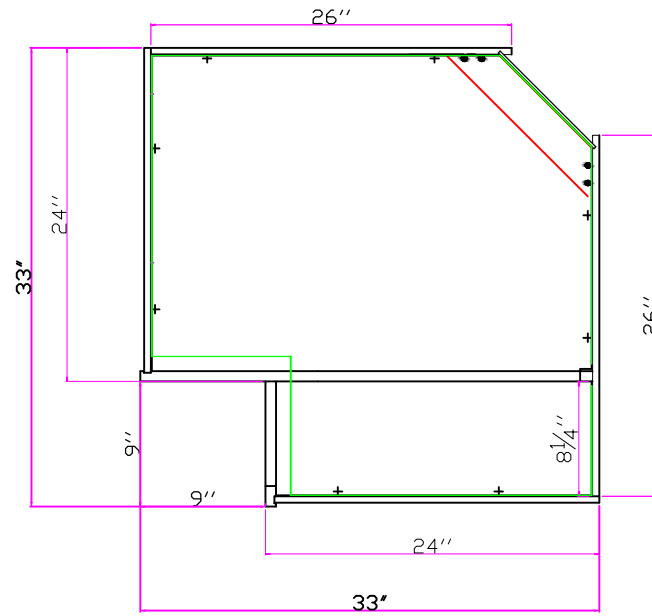
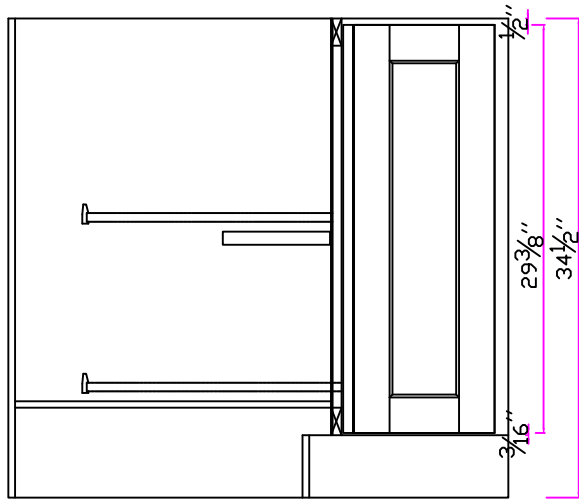


REVISIONS



MJS

FSB36

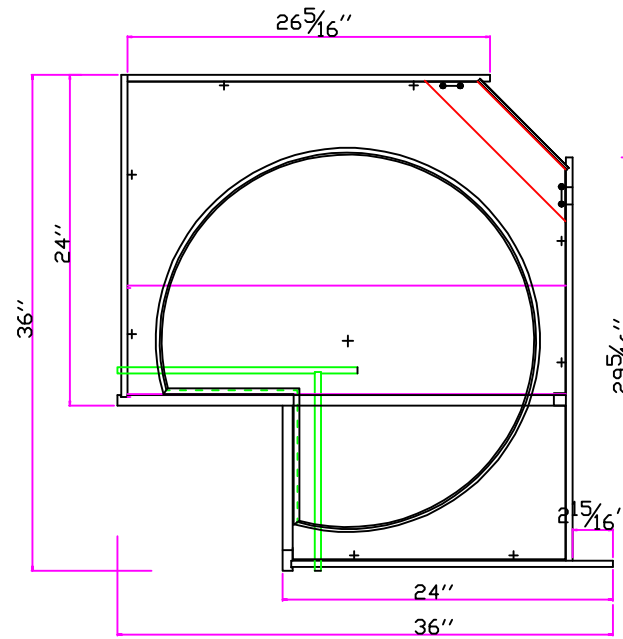
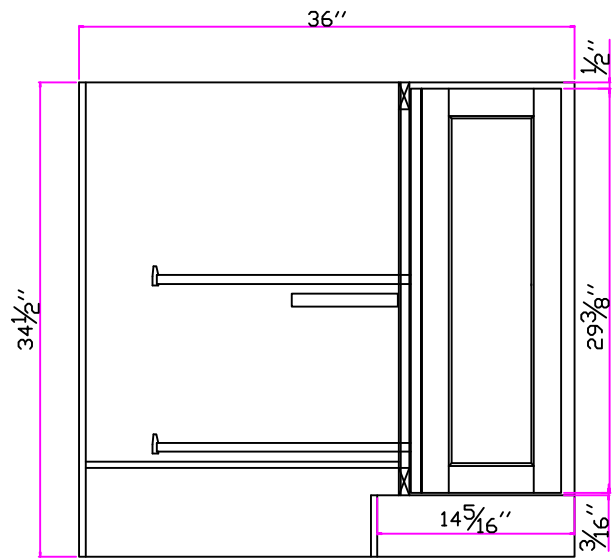


REVISIONS




**MJS**

ER3309

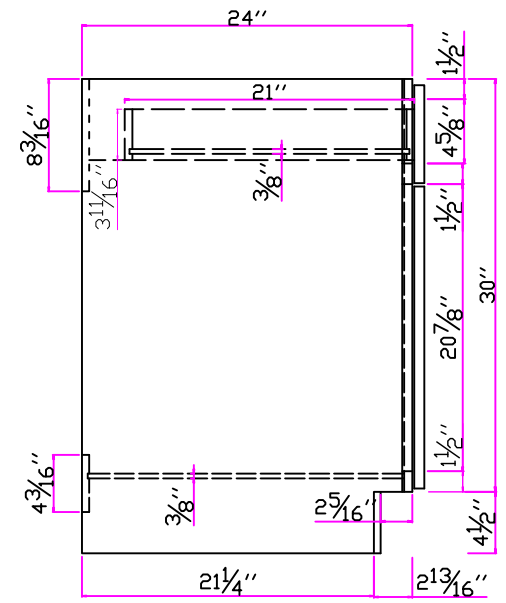
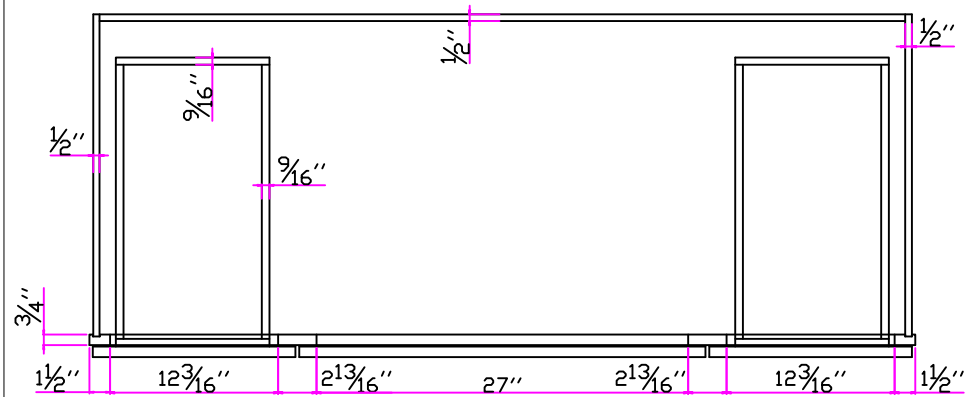
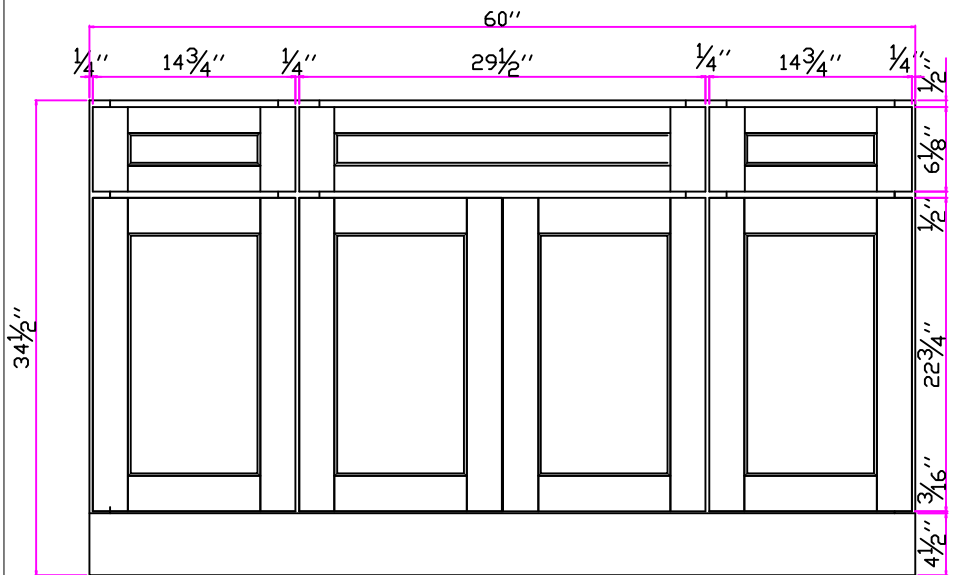


**REVISIONS**




**MJS**

**DCB3612**

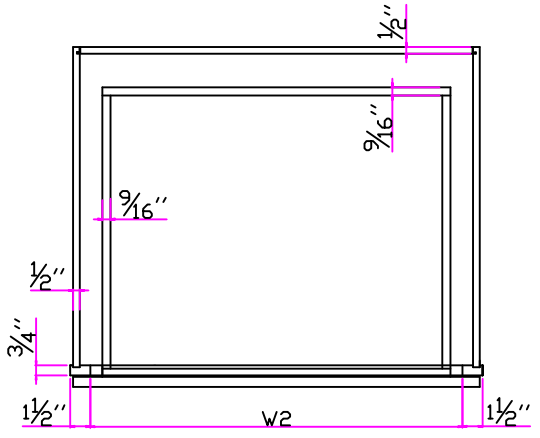
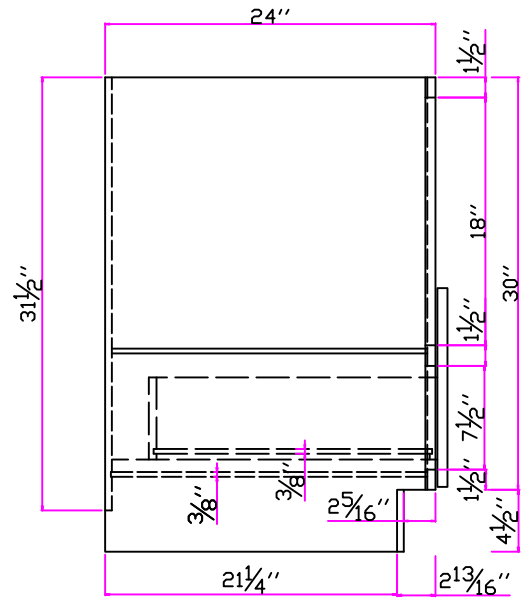
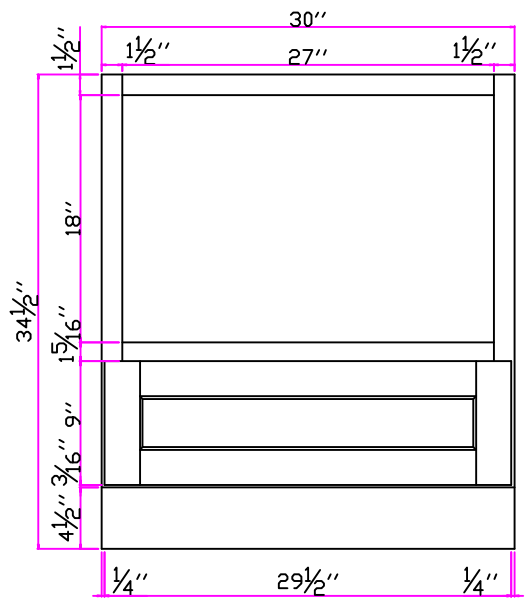


REVISIONS




MJS

SB60

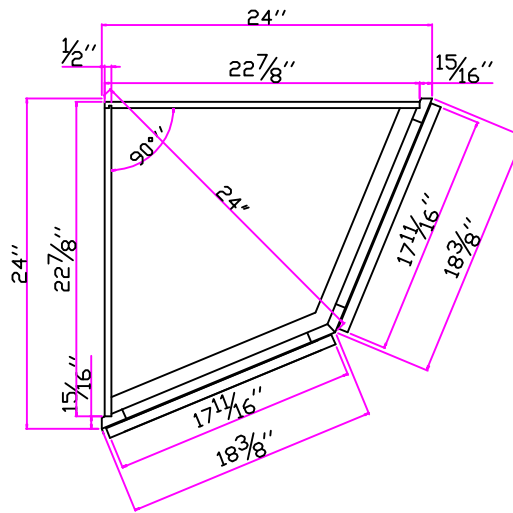
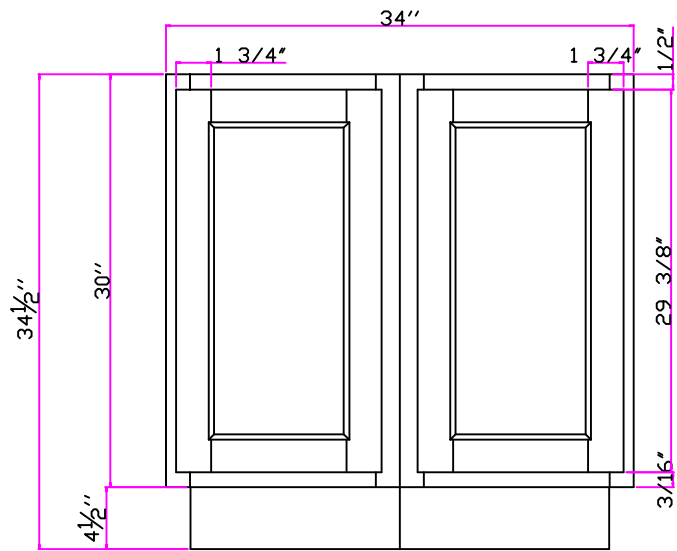


REVISIONS




MJS

MB30



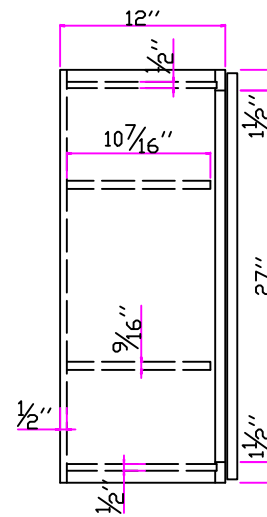
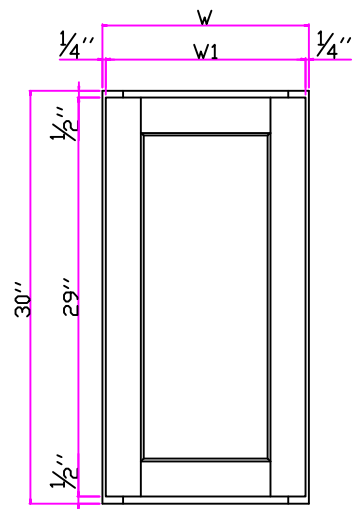
**REVISIONS**



**MJS**

**BC24**



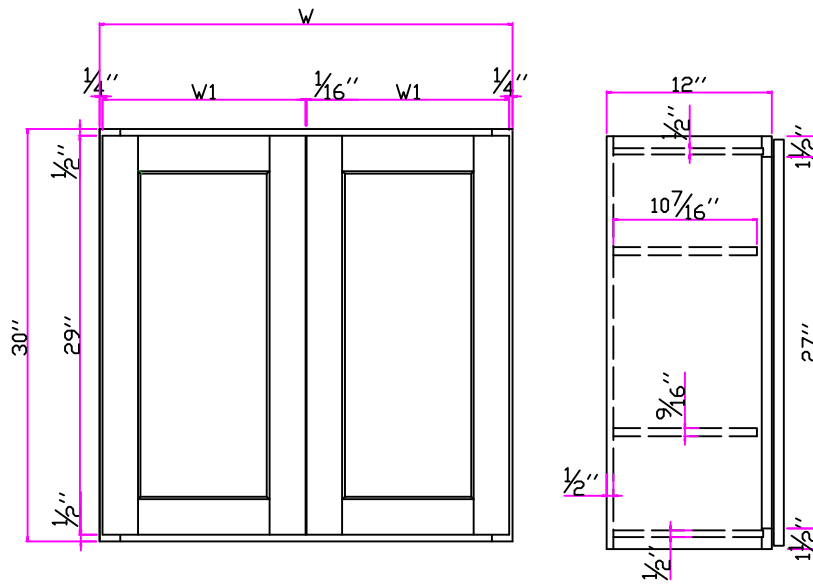


**REVISIONS**




**MJS**

**W0930-W2130**

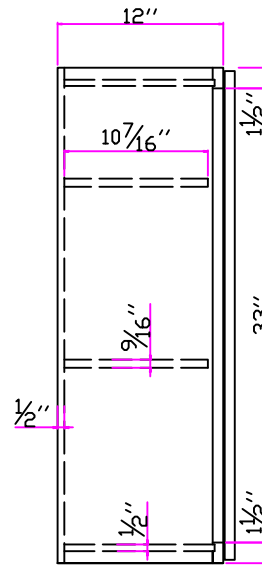
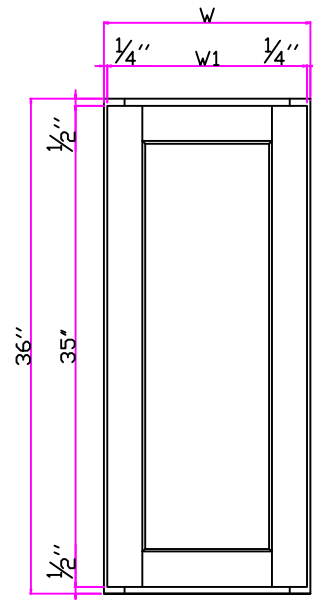


**REVISIONS**




**MJS**

**W2430-W3630**

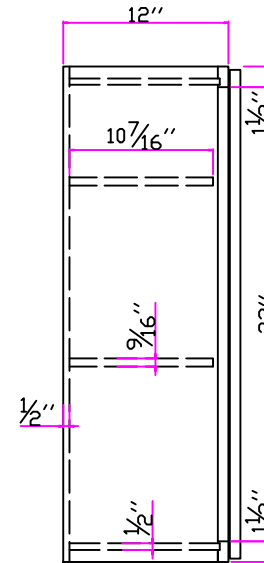
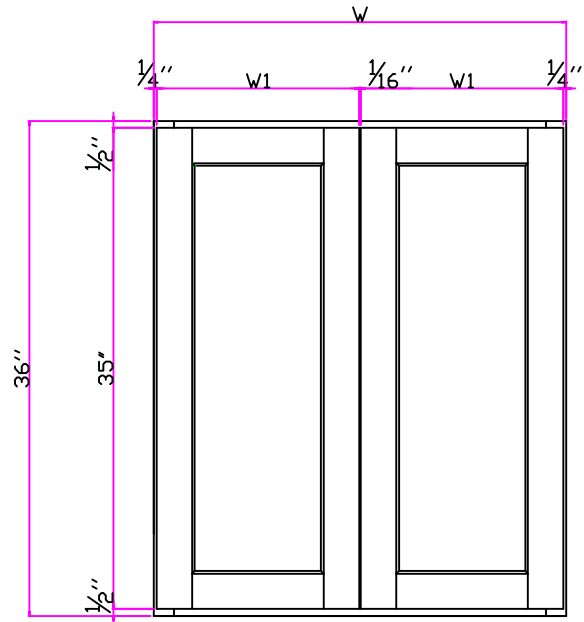


**REVISIONS**




**MJS**

**W0936-2136**

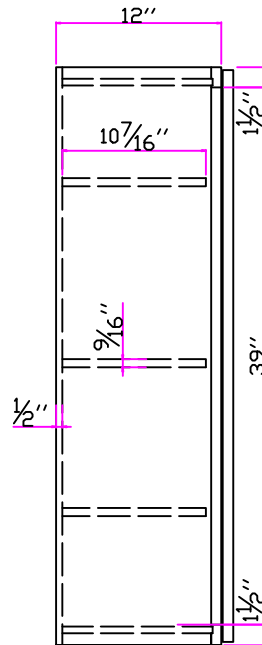
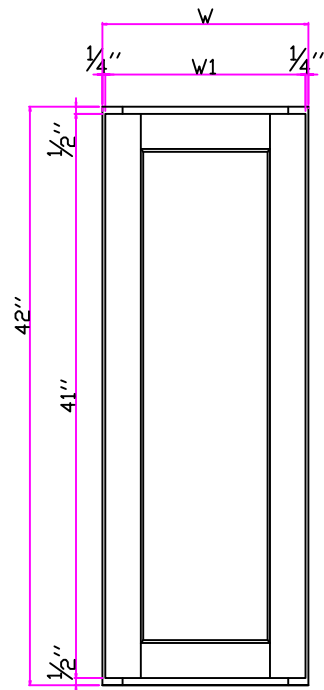


**REVISIONS**




**MJS**

**W2436-W3636**

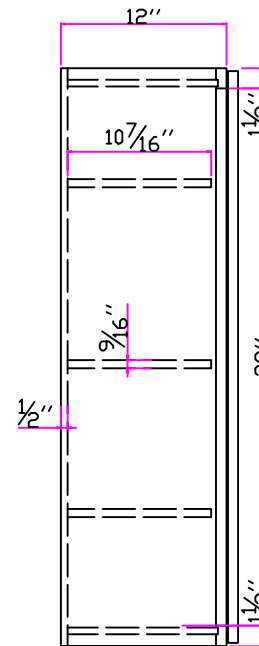
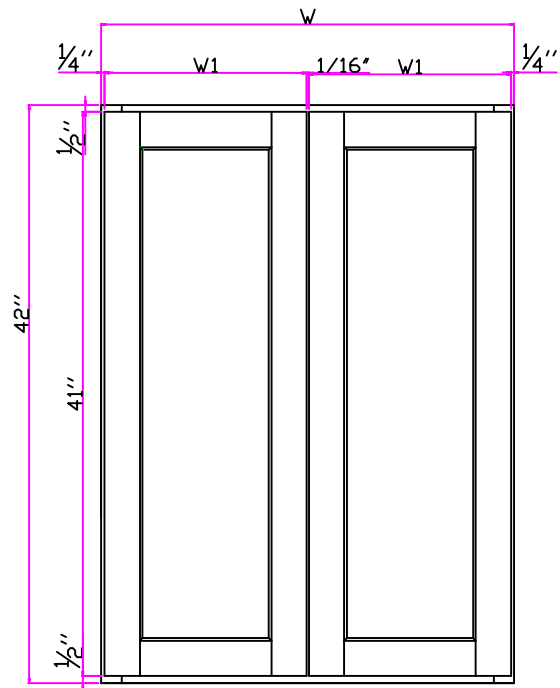


REVISIONS




MJS

W0942-W2142

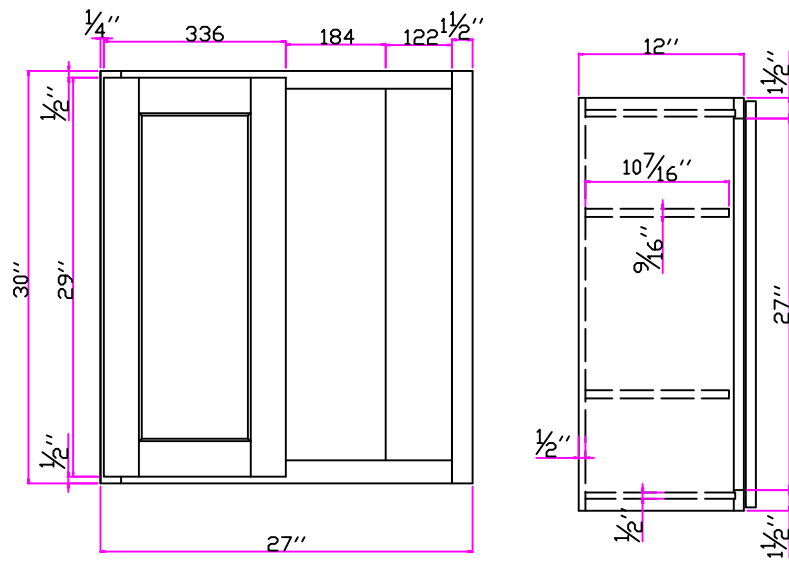


**REVISIONS**




**MJS**

**W2442-W3642**

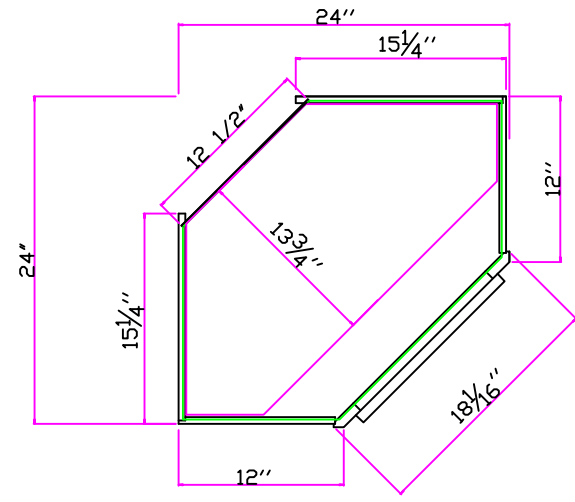
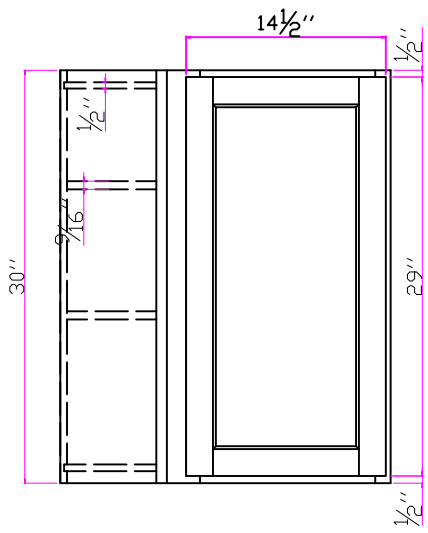


**REVISIONS**




**MJS**

**WBC2730**



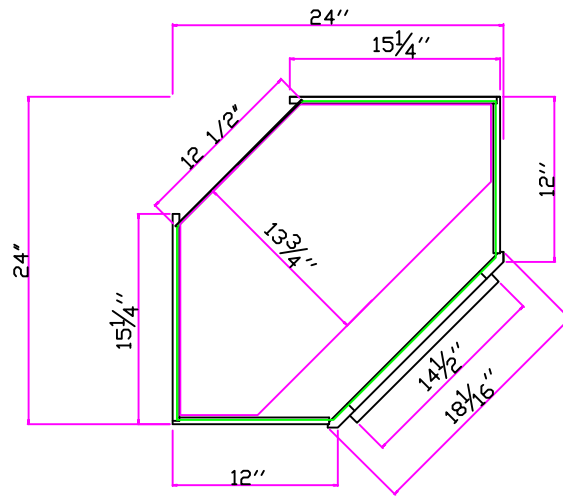
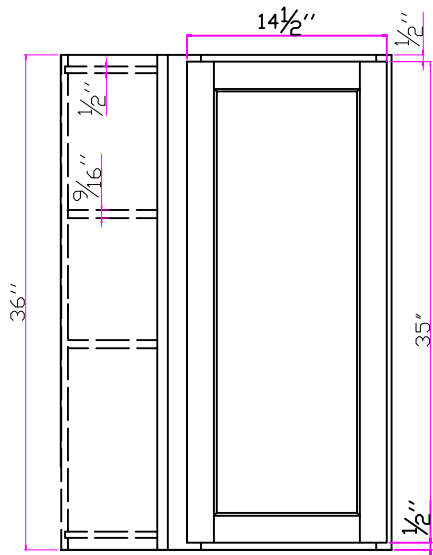
REVISIONS



MJS

WDC2430



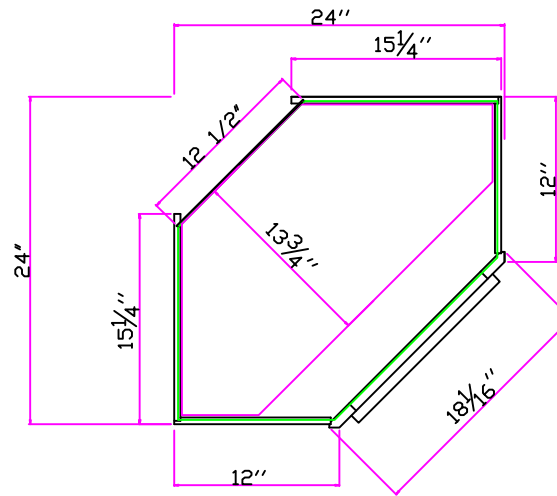
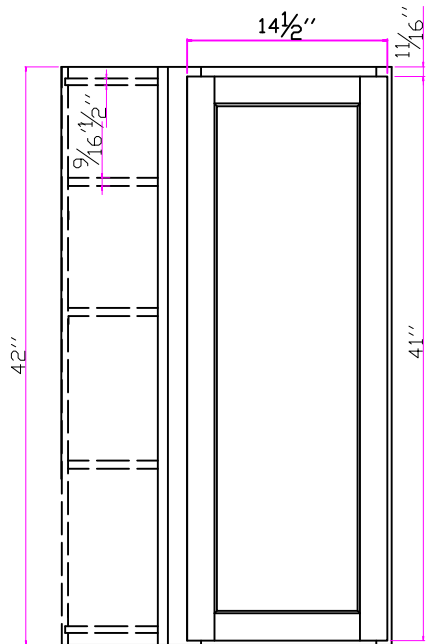


**REVISIONS**




**MJS**

**WDC2436**

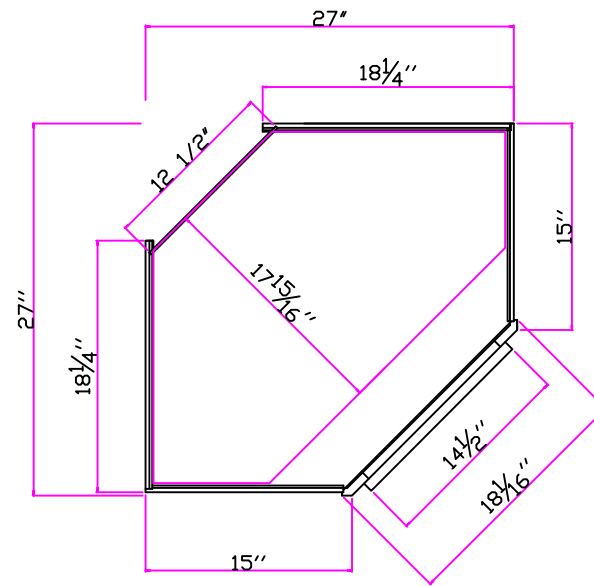
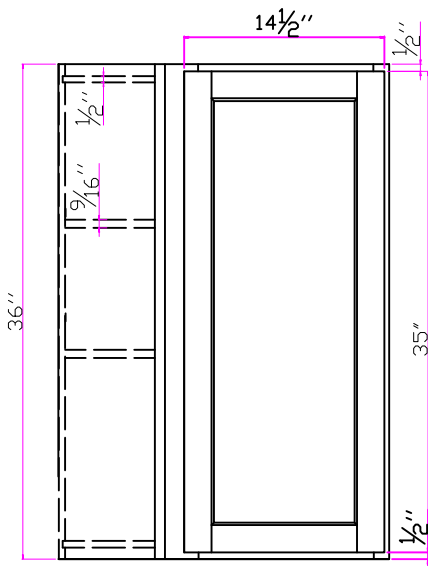


REVISIONS




MJS

WDC2442

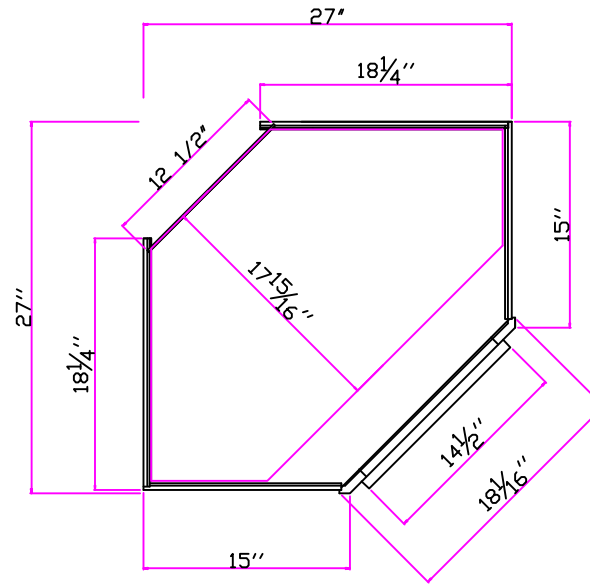
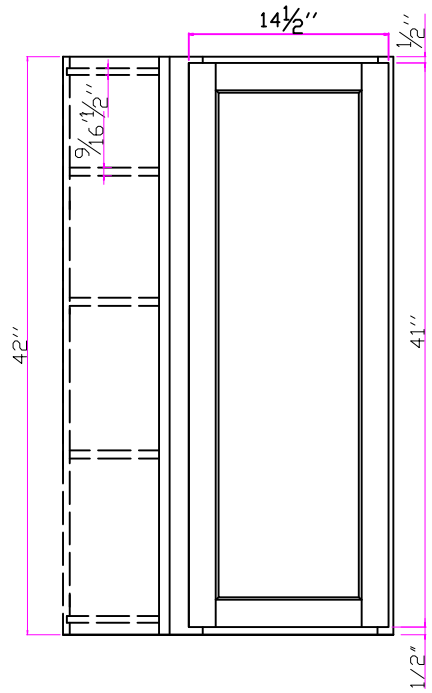


**REVISIONS**




**MJS**

**WDC2736**

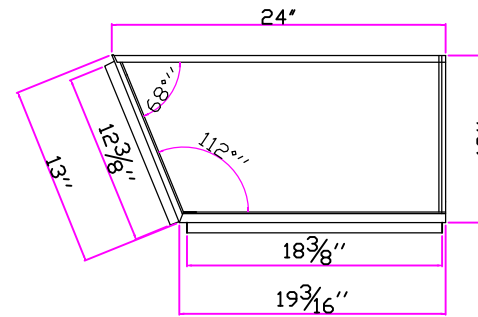
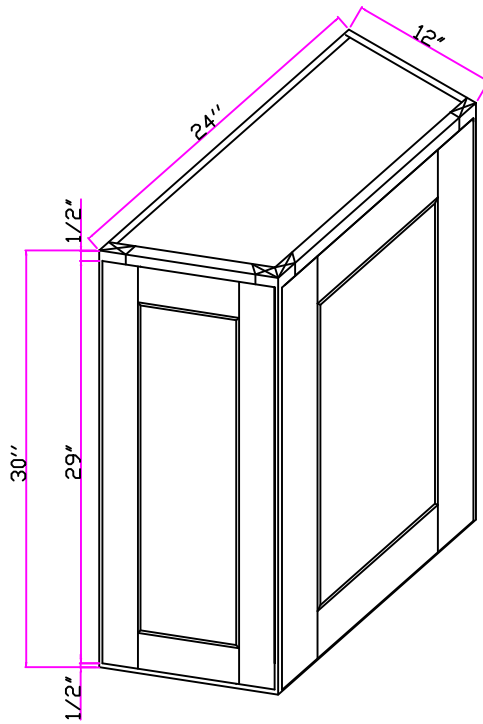


REVISIONS




MJS

WDC2742

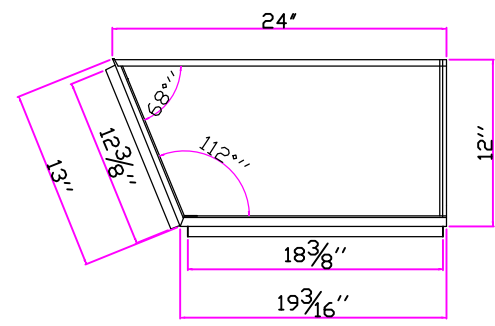
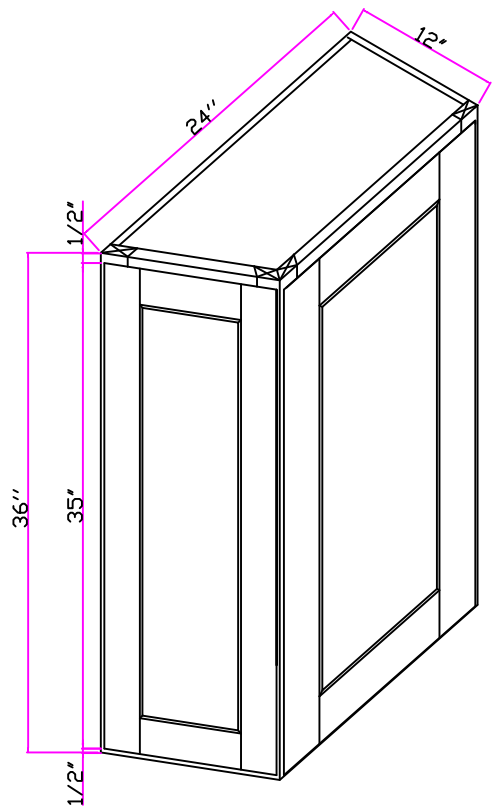


REVISIONS




**MJS**

WAC2430

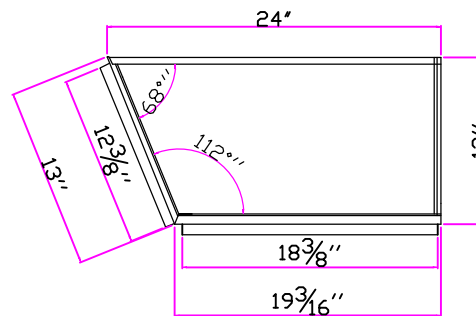
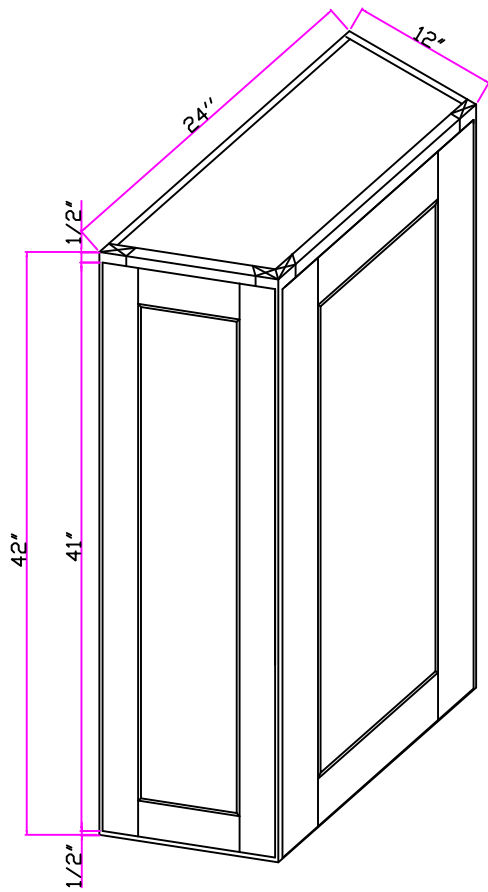


REVISIONS



**MJS**

WAC2436

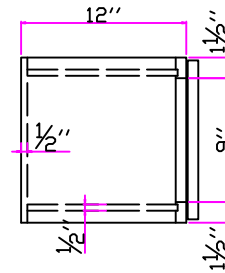
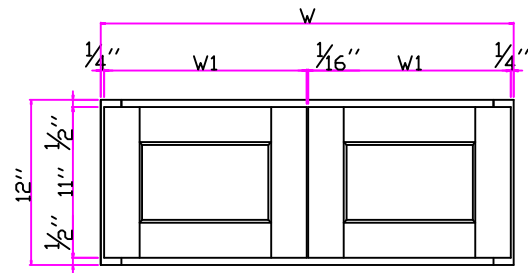


REVISIONS




**MJS**

WAC2442



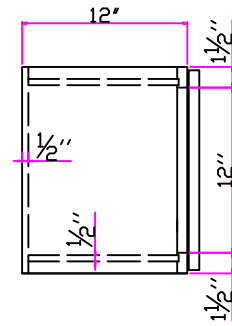
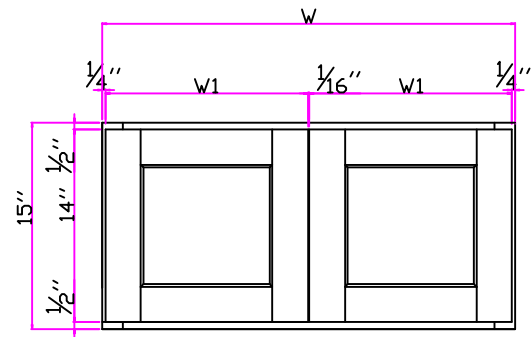
**REVISIONS**




**MJS**

**W3012-W3612**



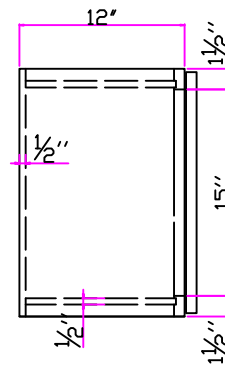
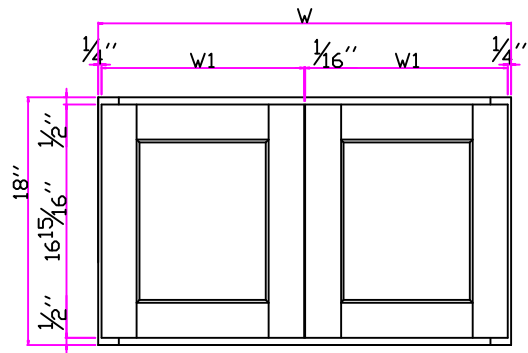


**REVISIONS**




**MJS**

**W2415-W3615**

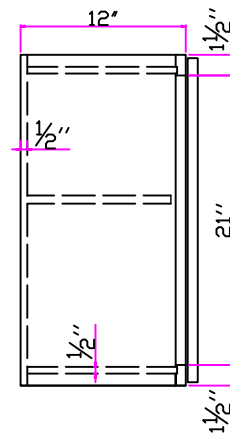
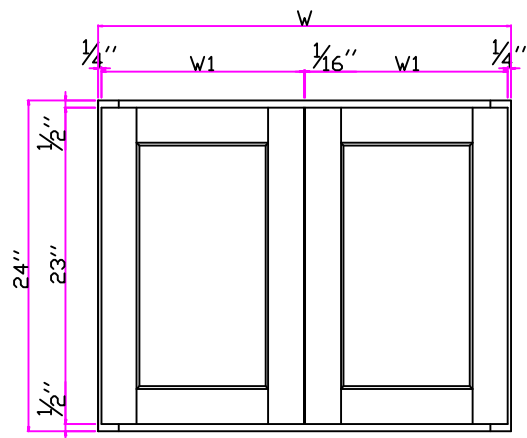


**REVISIONS**




**MJS**

**W3018-W3618**



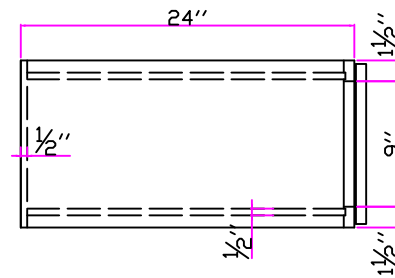
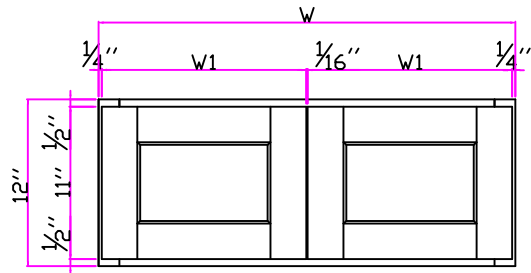
**REVISIONS**




**MJS**

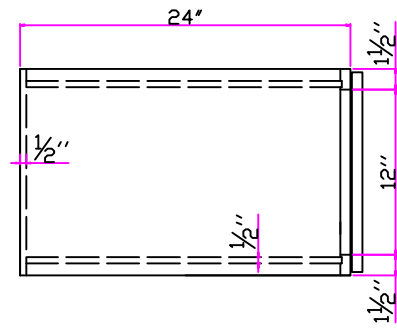
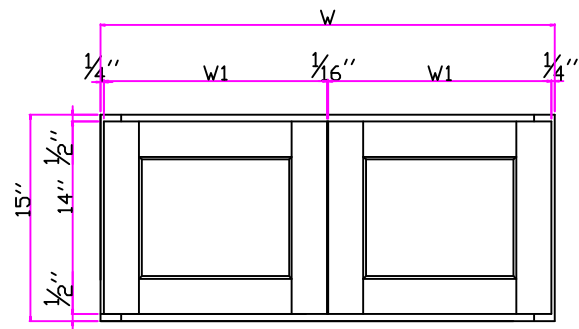
**W3024-W3624**

REVISIONS



**MJS**

W331224  
W361224



**REVISIONS**




**MJS**

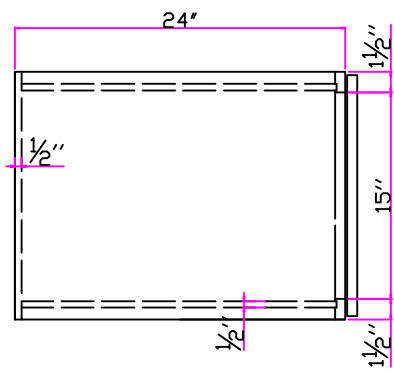
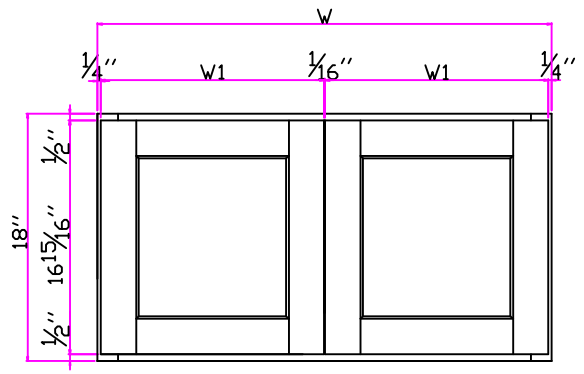
W331524  
W361524

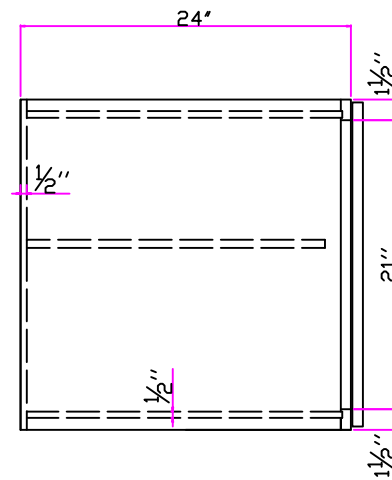
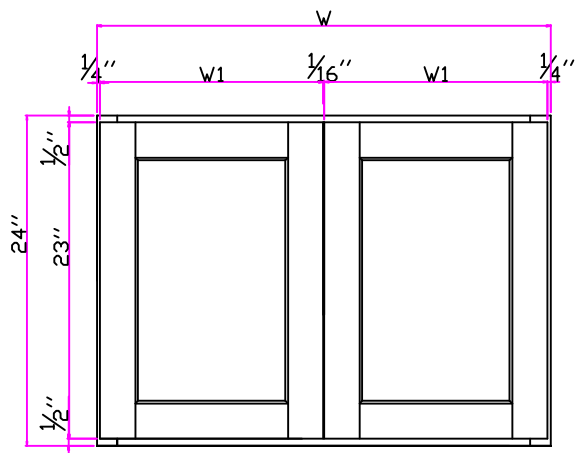
REVISIONS



MJS

W361824



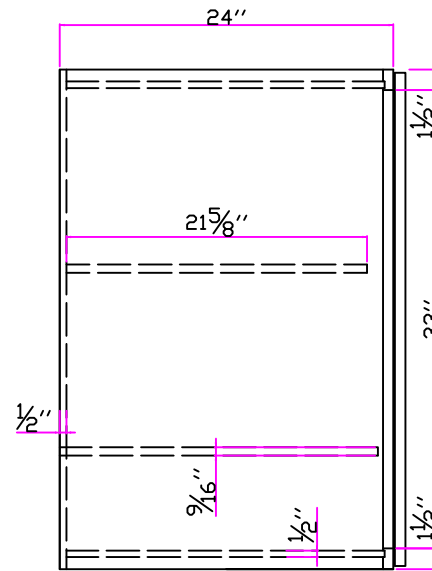
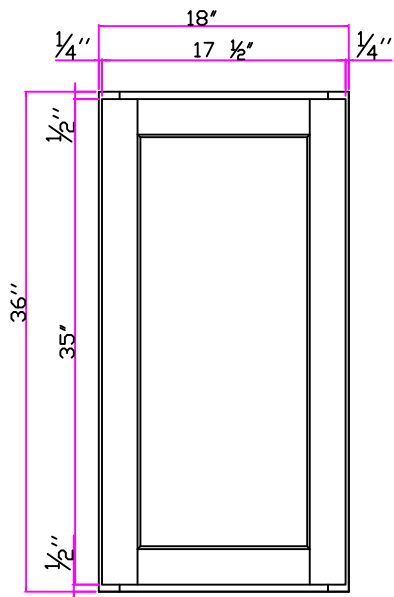


**REVISIONS**




**MJS**

**W332424  
W362424**



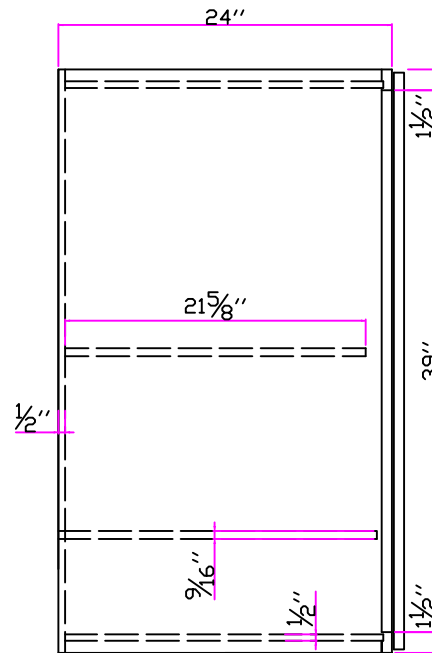
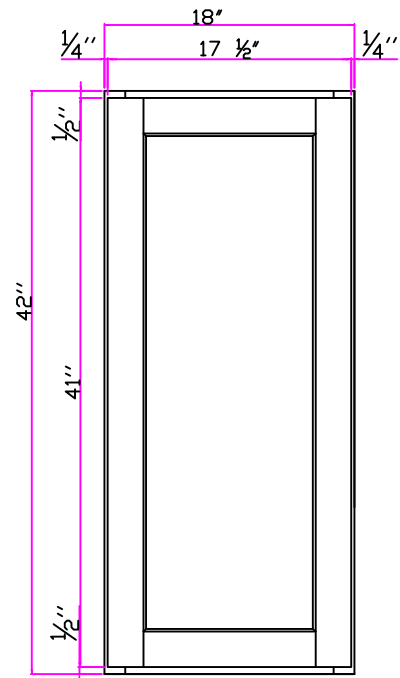
REVISIONS




**MJS**

W183624



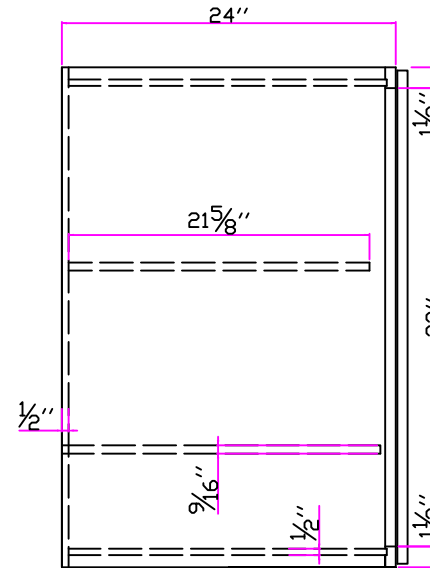
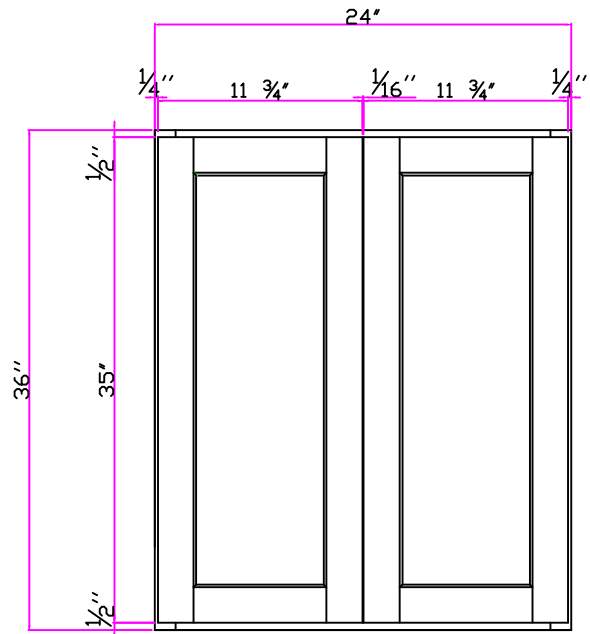


REVISIONS




**MJS**

W184224

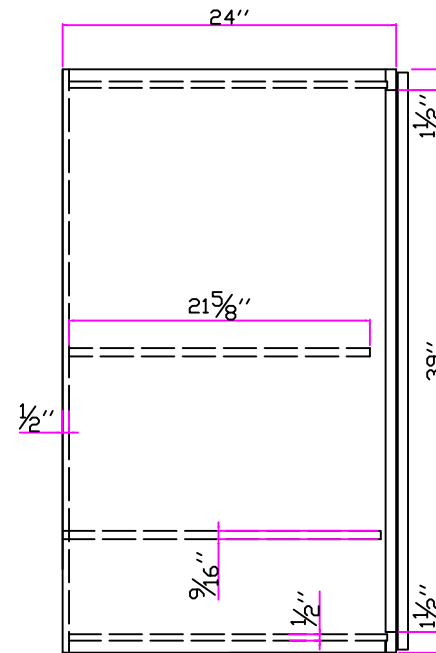
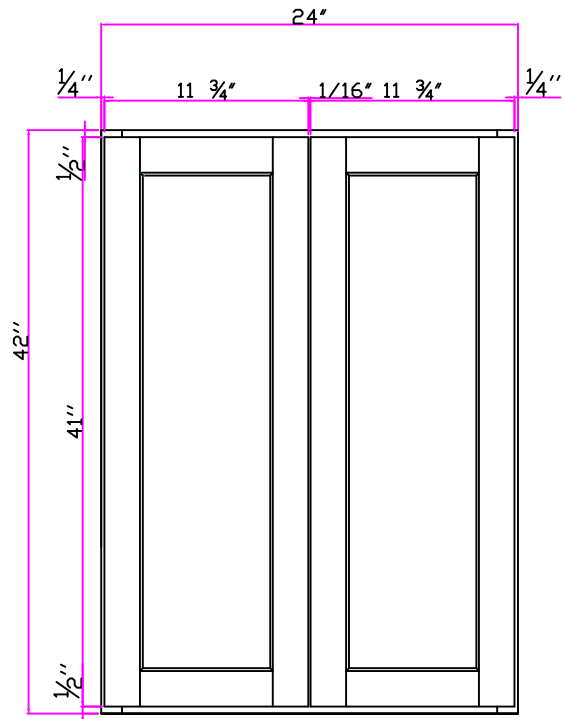


REVISIONS




**MJS**

W243624

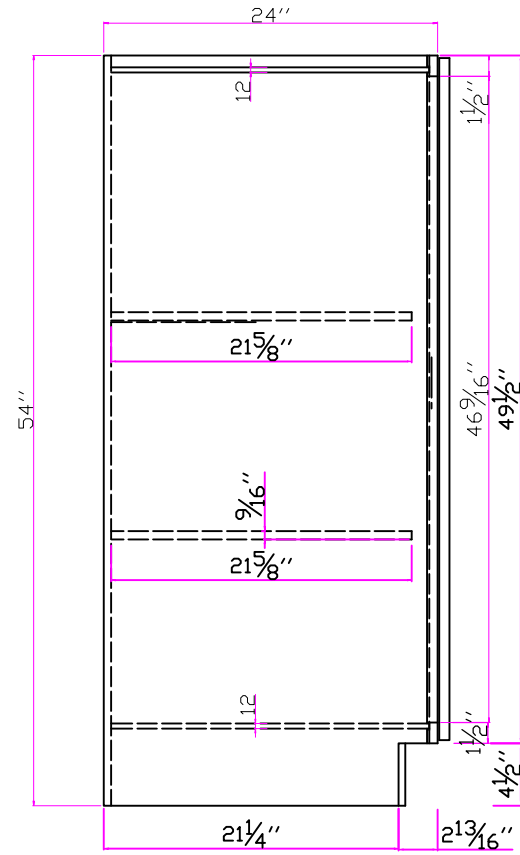
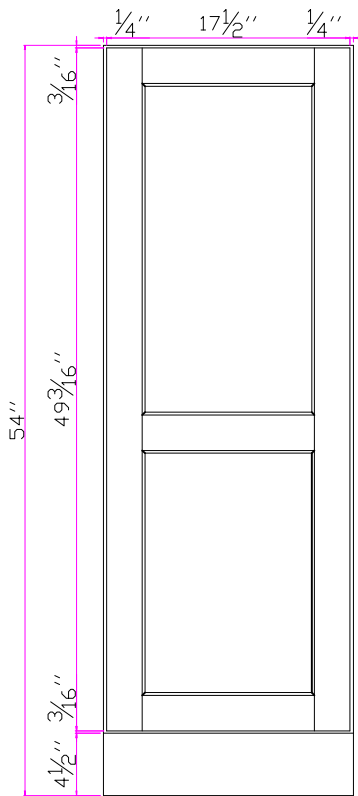


REVISIONS




**MJS**

W244224

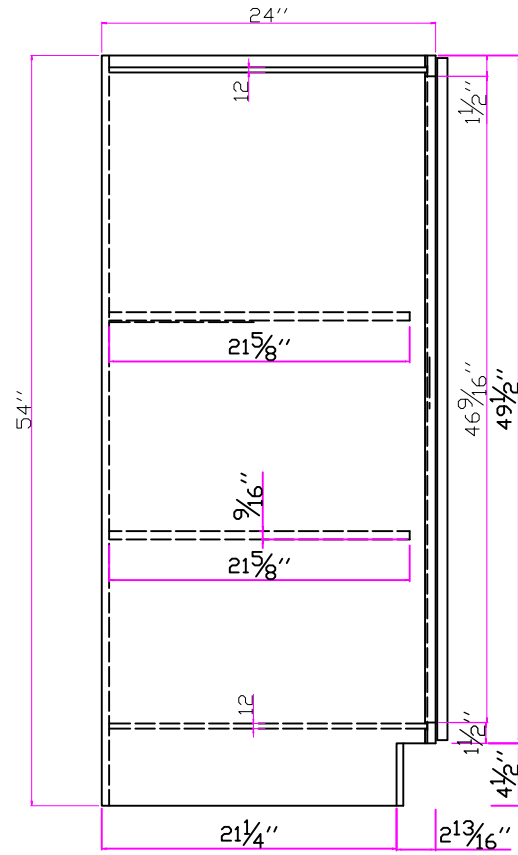
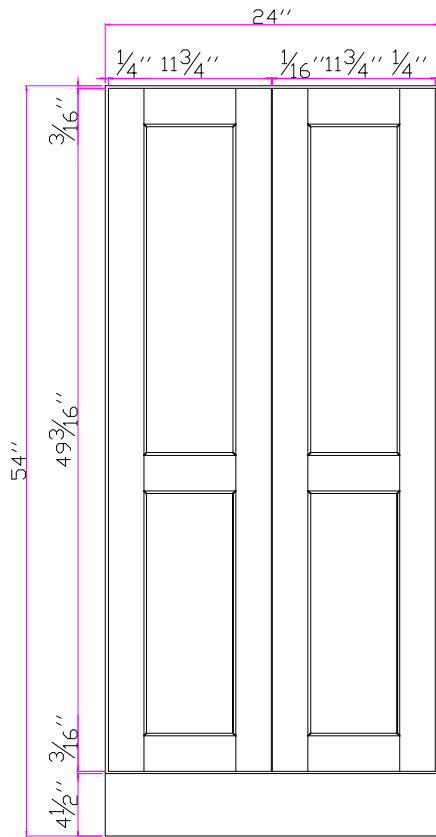


REVISIONS




**MJS**

UCB1854

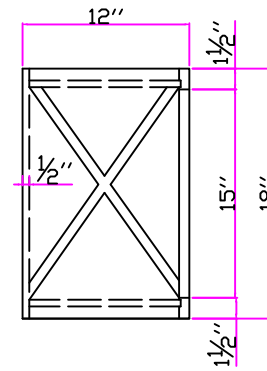
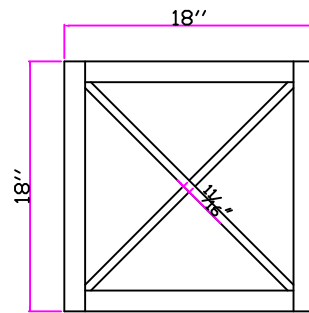


REVISIONS




**MJS**

UCB2454

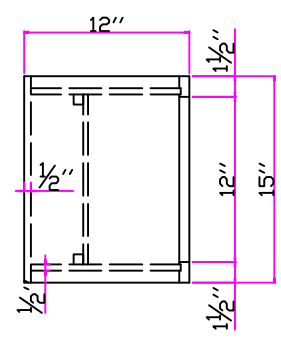
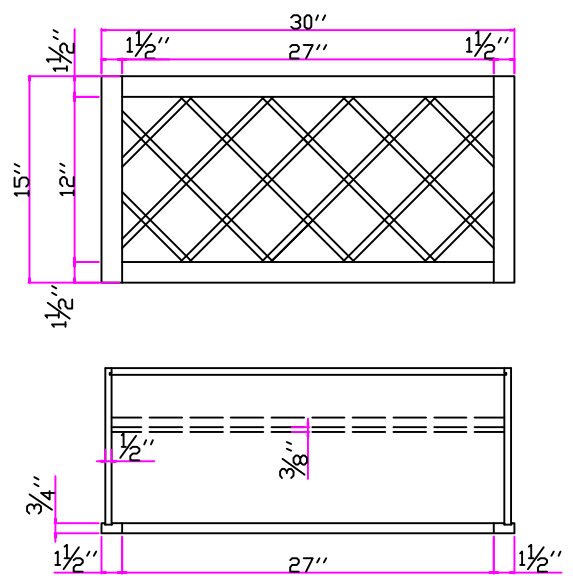


REVISIONS




**MJS**

WR1818

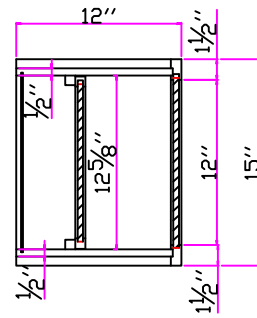
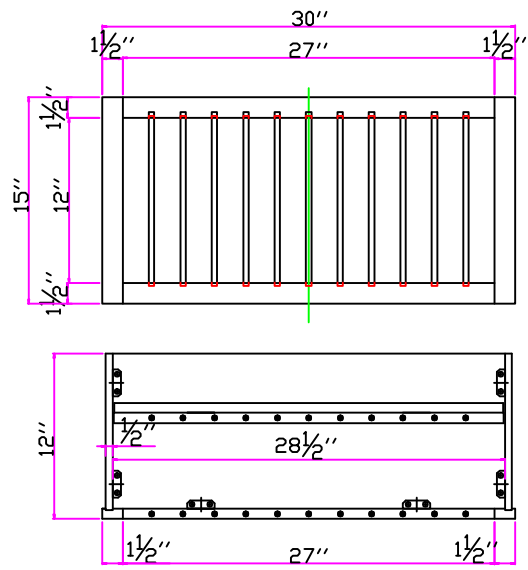


REVISIONS



**MJS**

**WR3015**



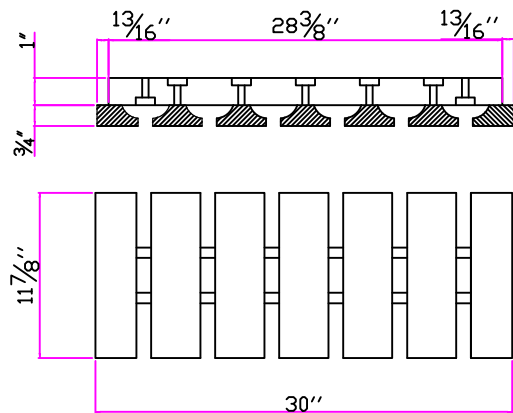
**REVISIONS**




**MJS**

**PR3015**





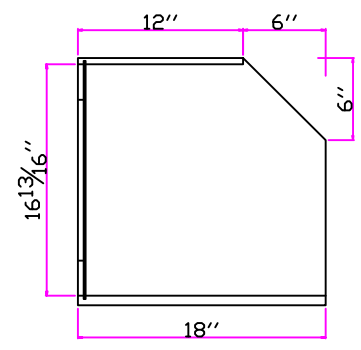
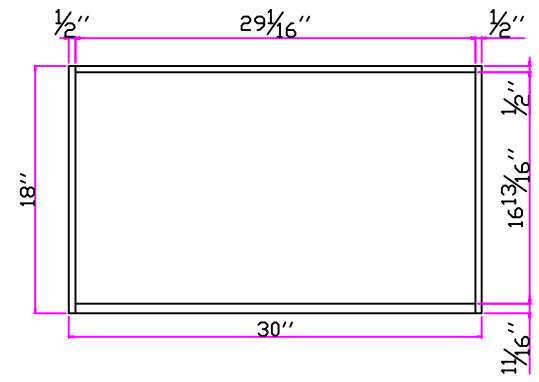
REVISIONS




**MJS**

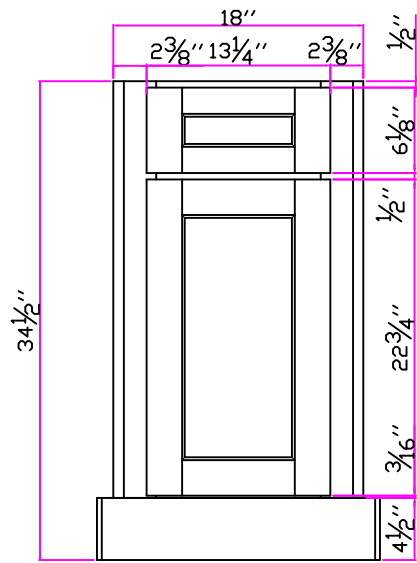
SGH30

REVISIONS

MJS

MC3018



REVISIONS



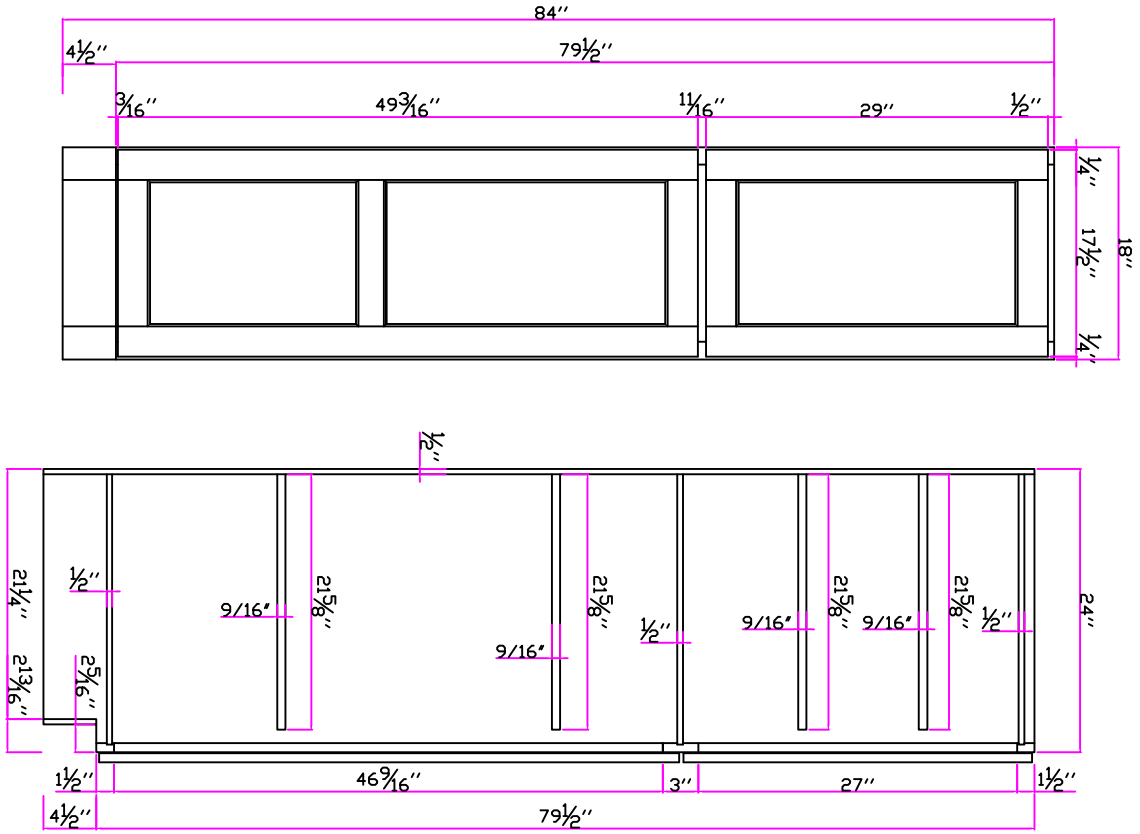

**MJS**

CSF36



MJS

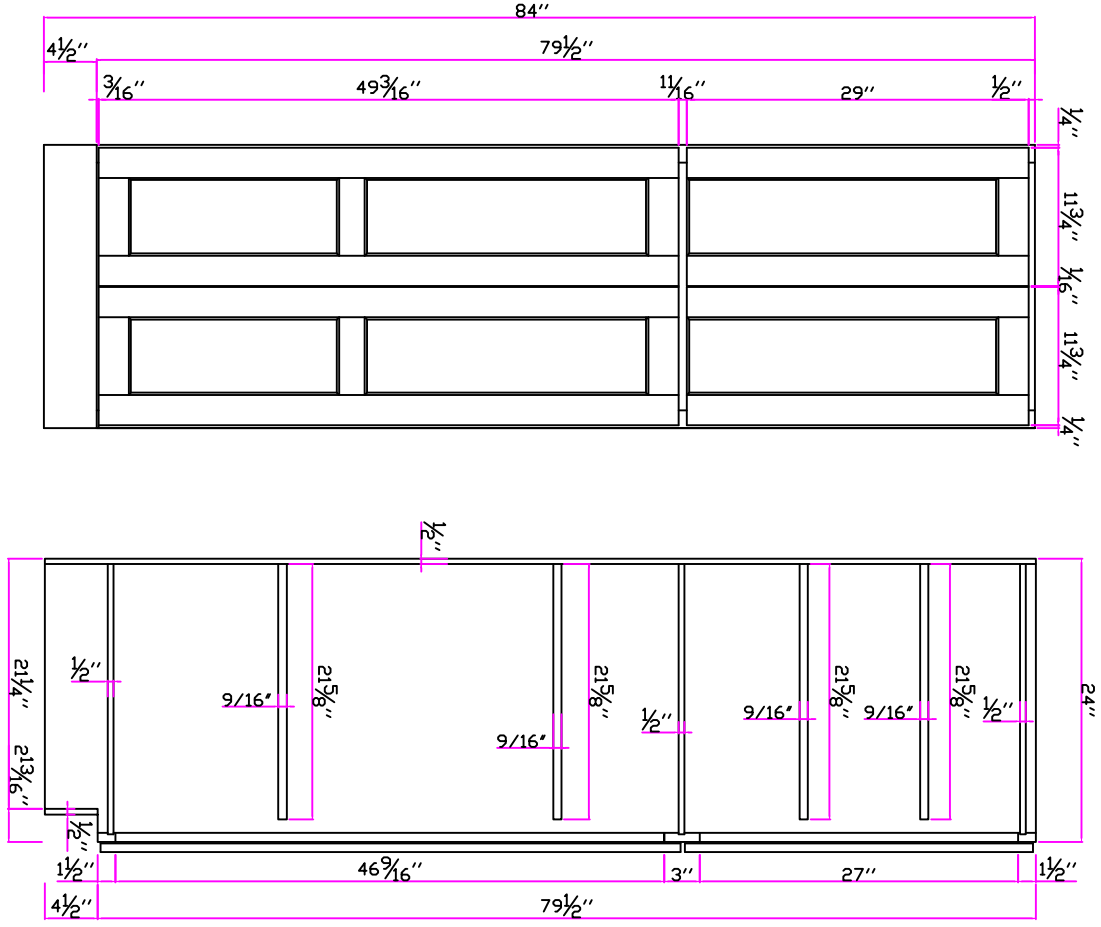
WP1884





MJS

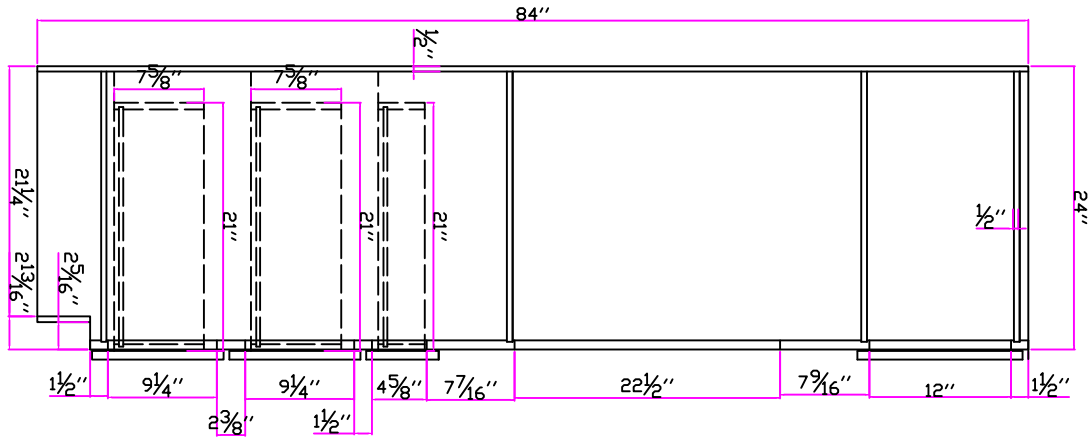
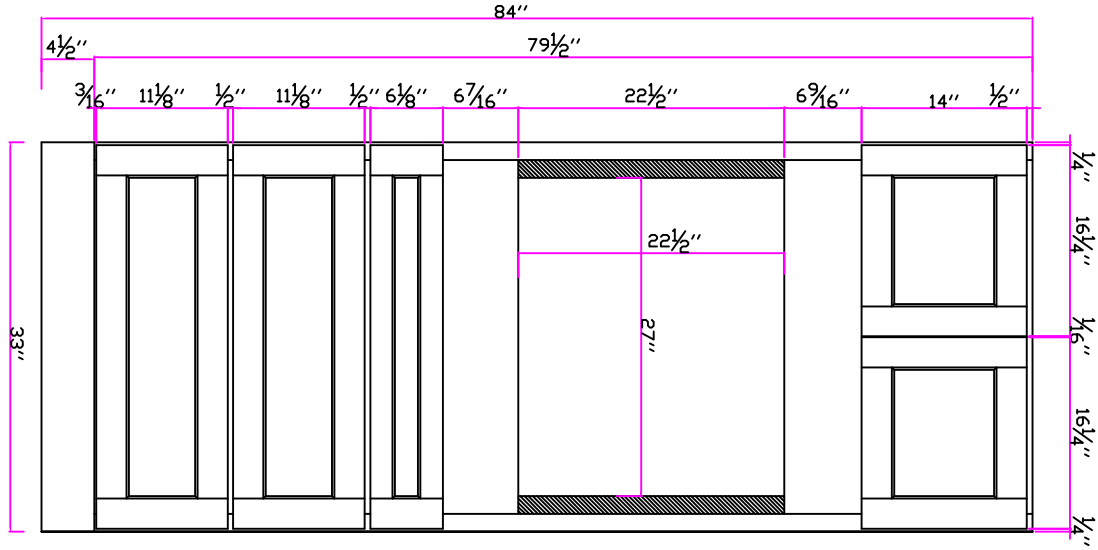
WP2484





MJS

OU332484





MJS

OU332490

