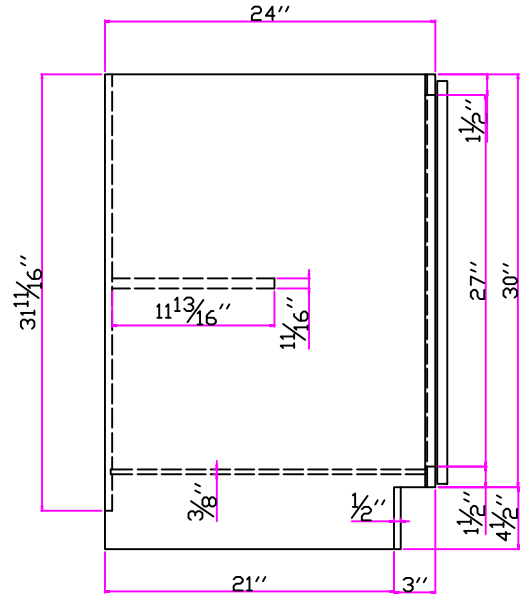
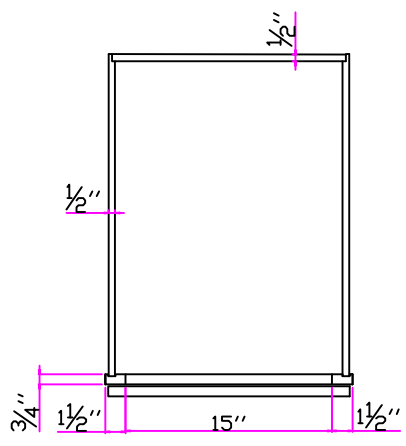
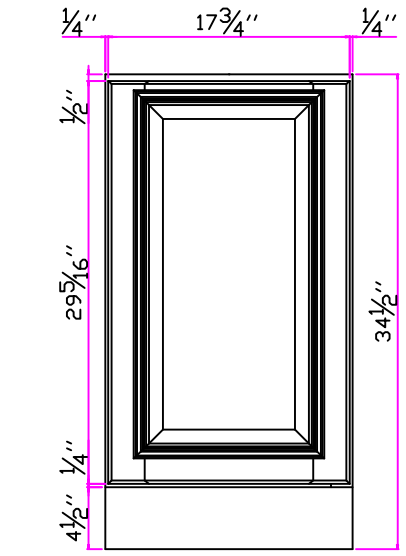


REVISIONS



NTL

B09-FH

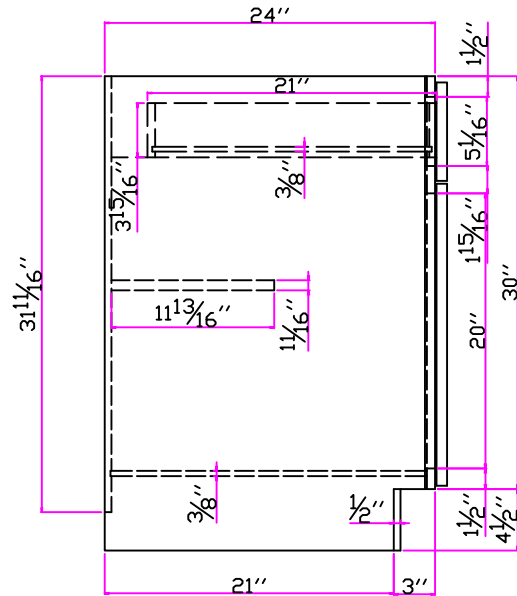
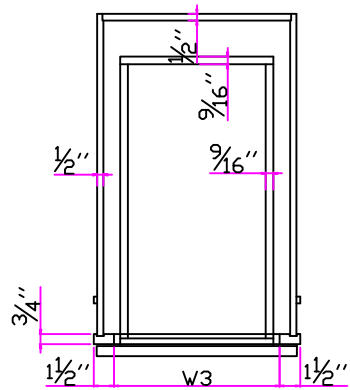
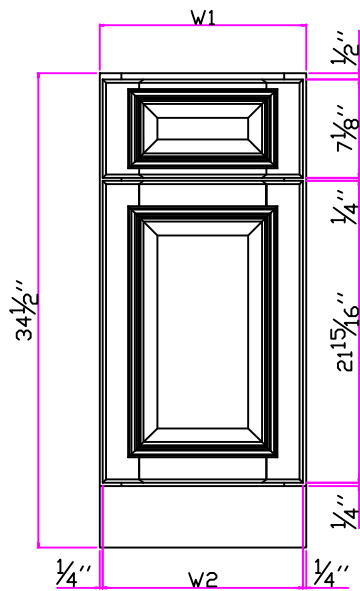


REVISIONS



NTL

B18-FH

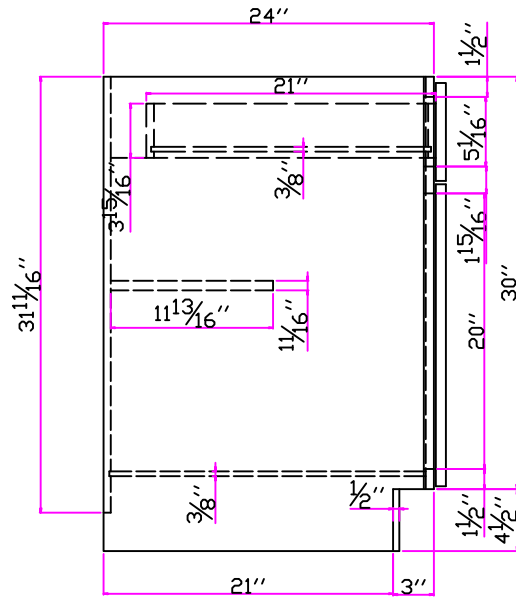
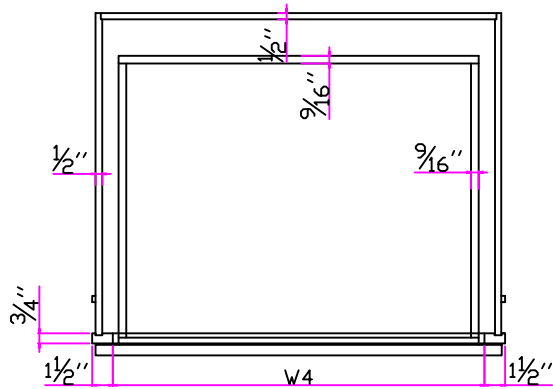
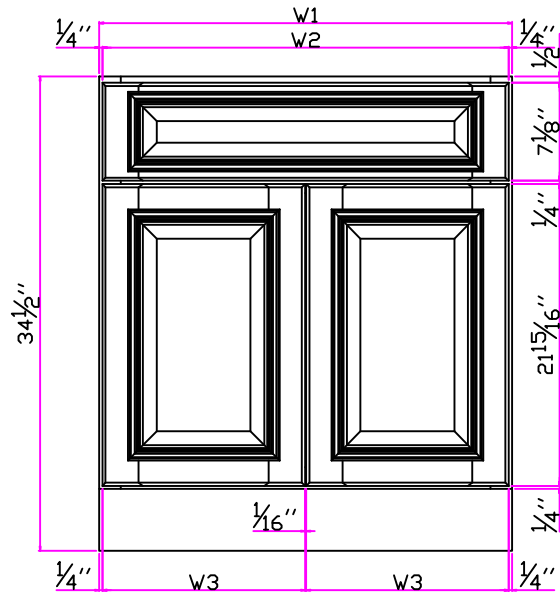


REVISIONS



NTL

B12-B21

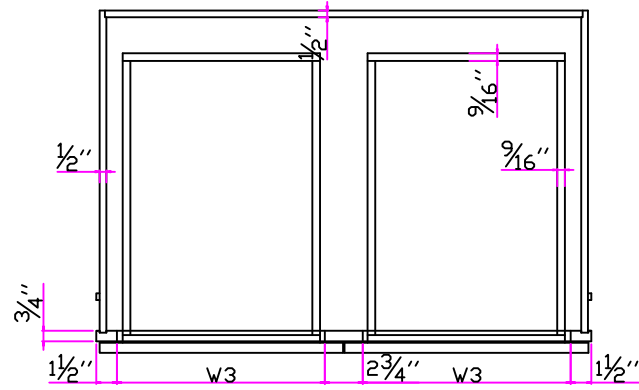
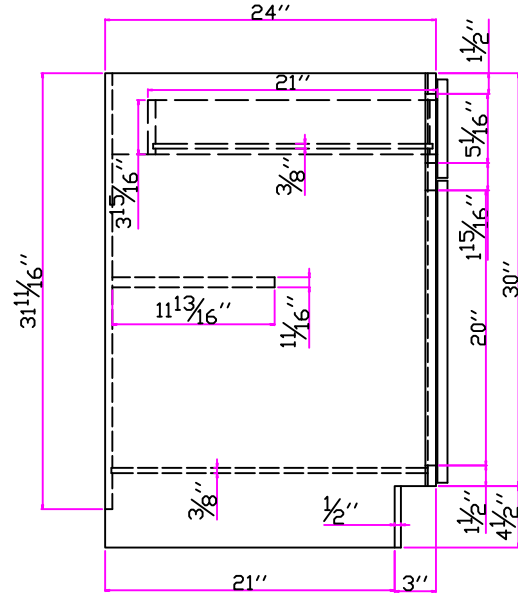
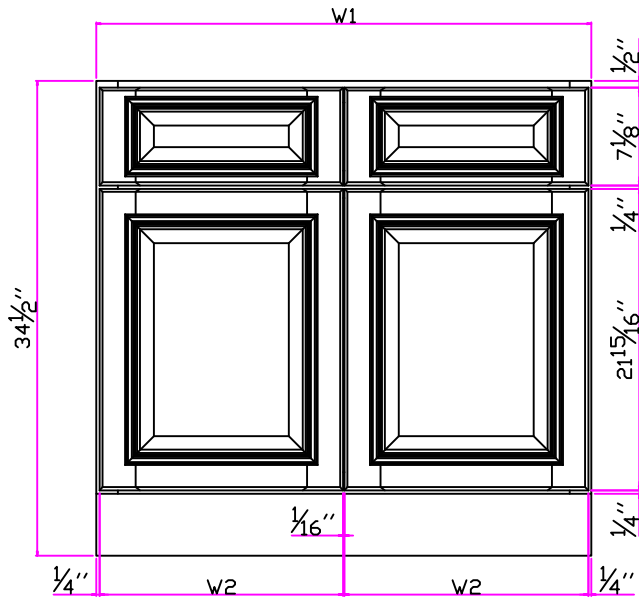


REVISIONS



NTL

B24-B30

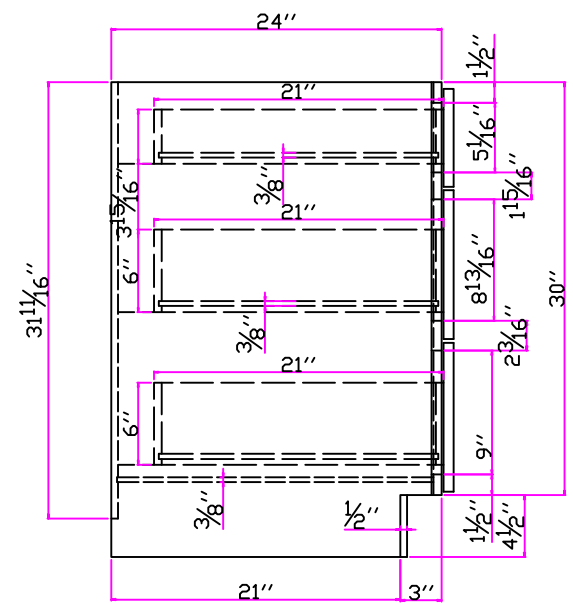
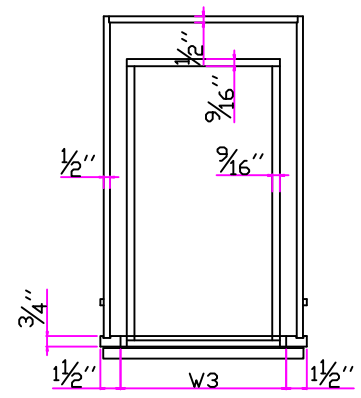
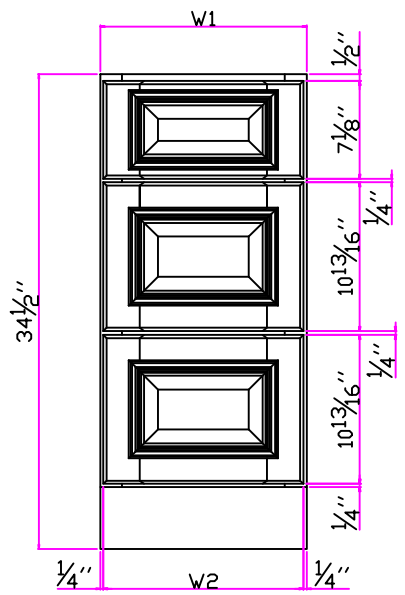


REVISIONS



NTL

B33-B42

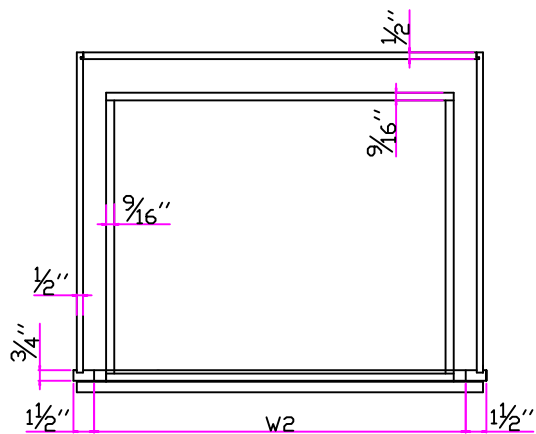
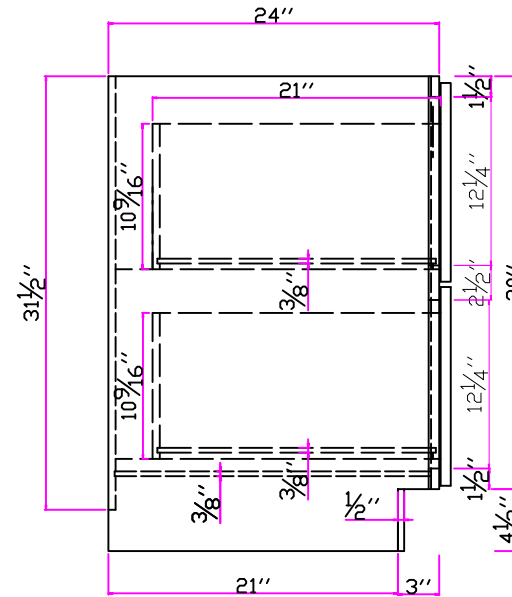
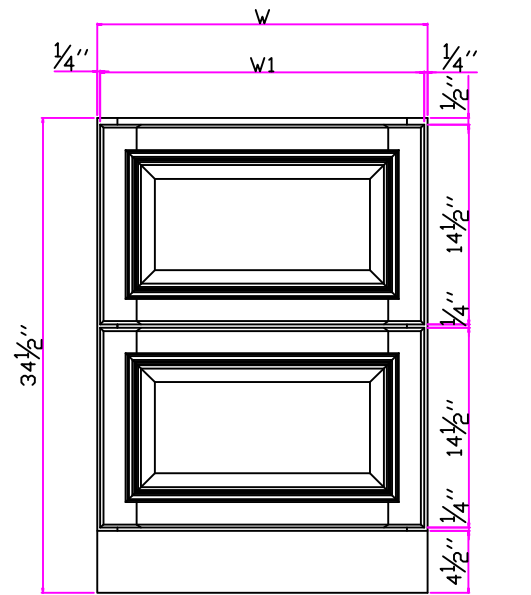


REVISIONS



NTL

DB15-DB30

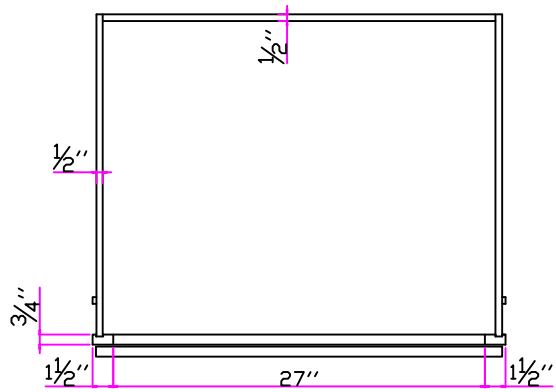
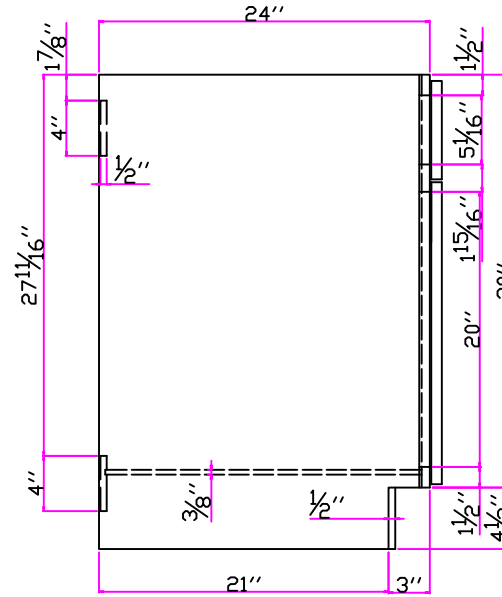
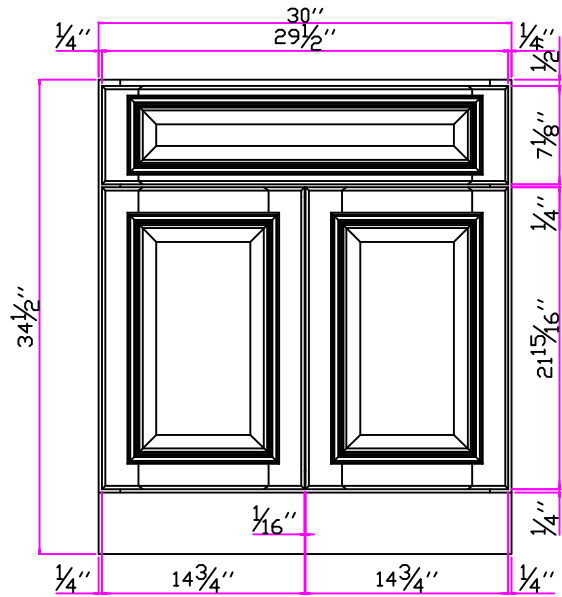


REVISIONS



NTL

DB24-2
DB30-2

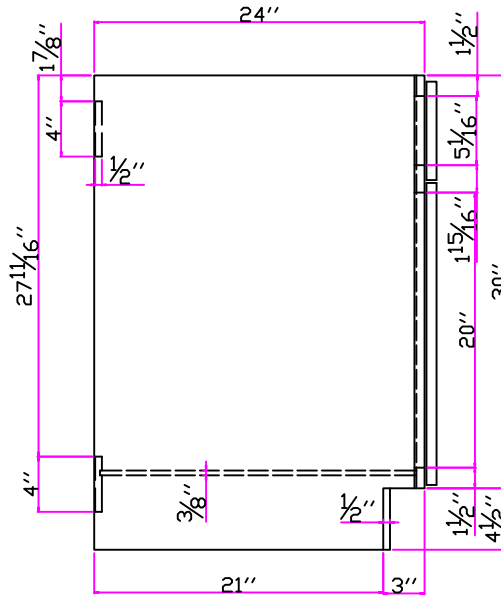
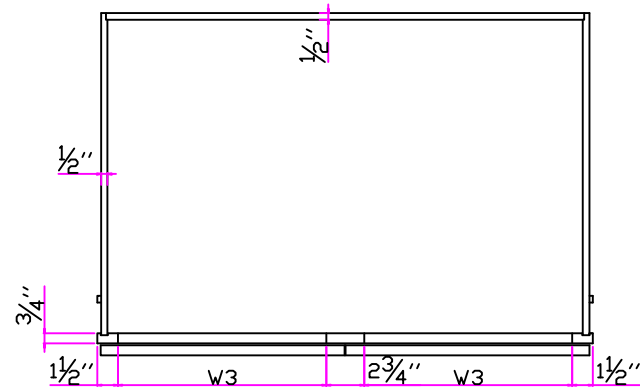
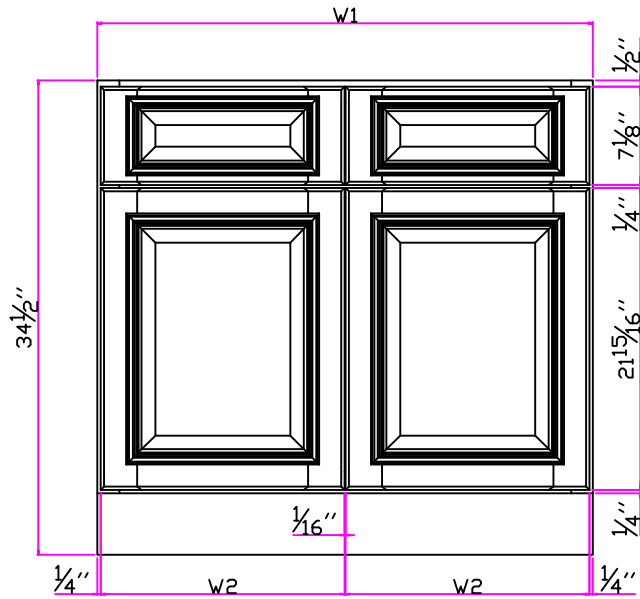


REVISIONS



NTL

SB30

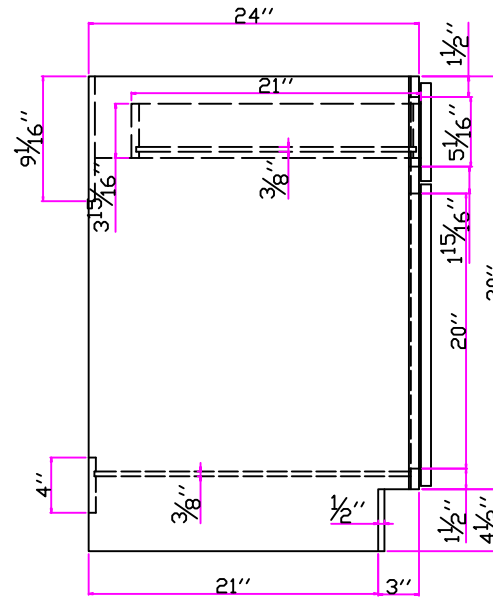
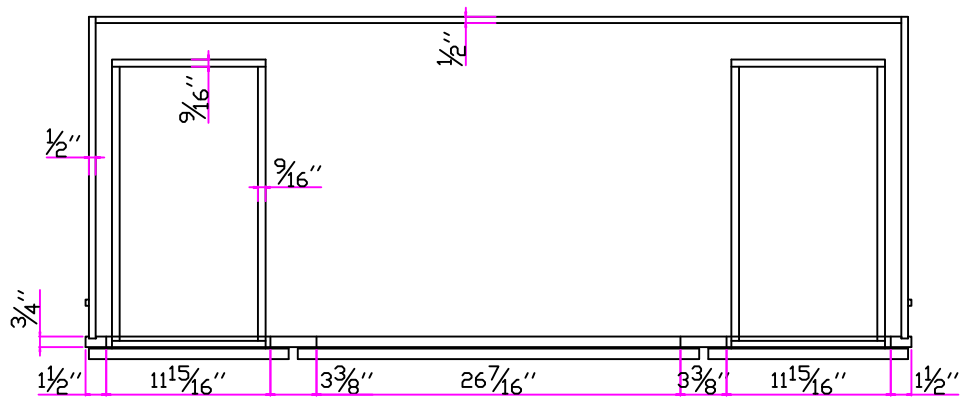
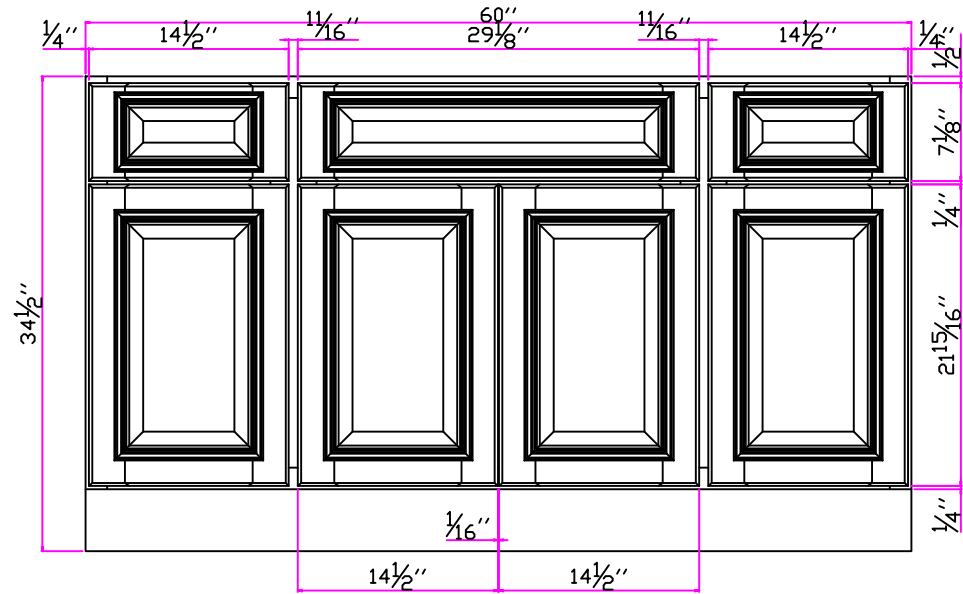


REVISIONS



NTL

SB33-SB42

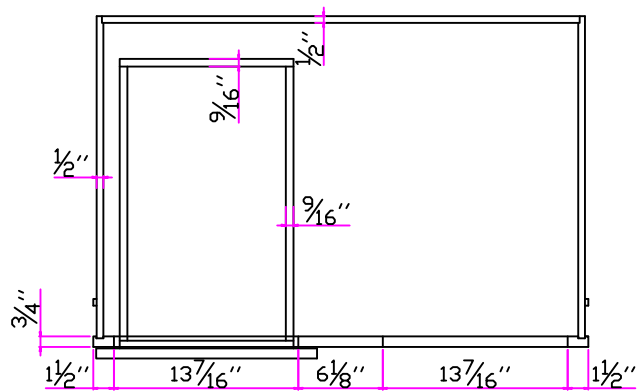
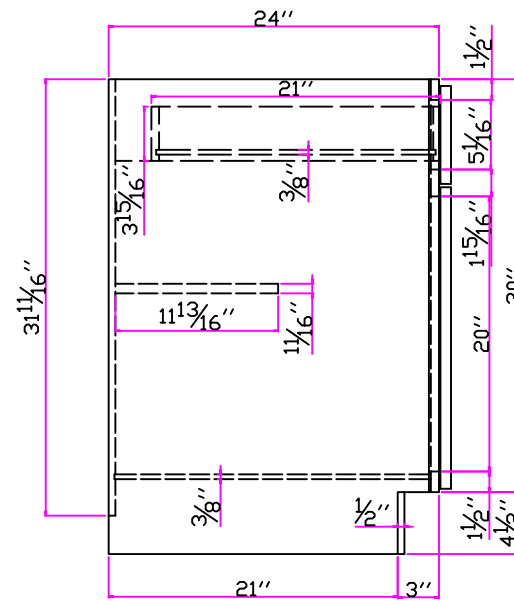
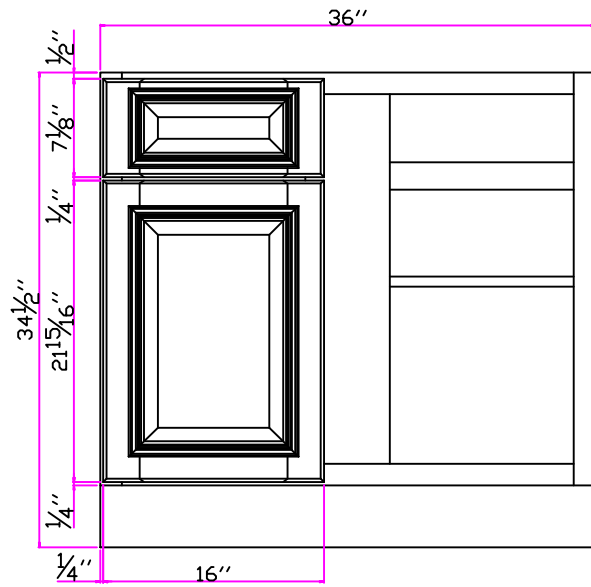


REVISIONS



NTL

SB60

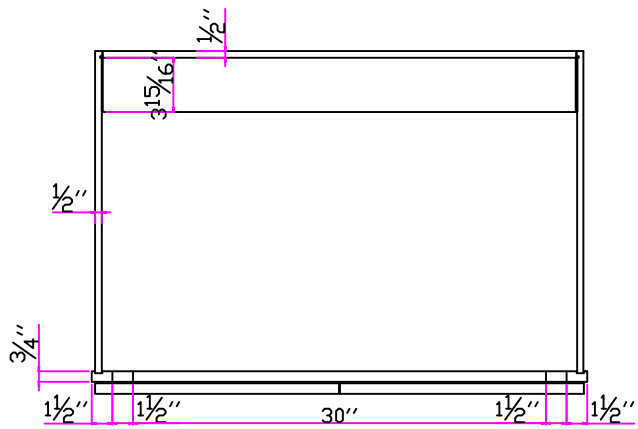
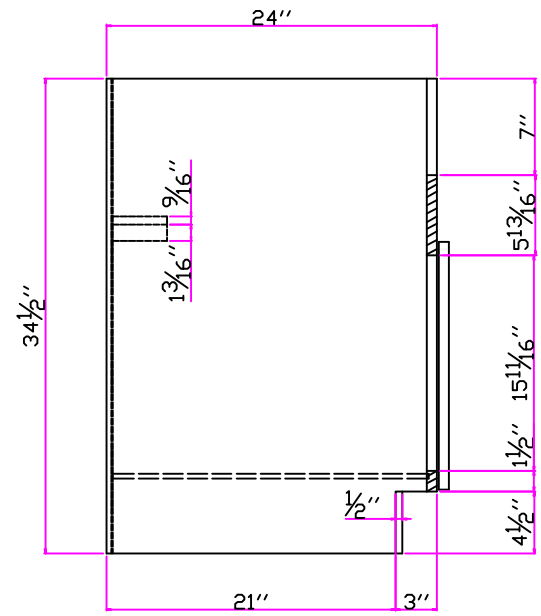
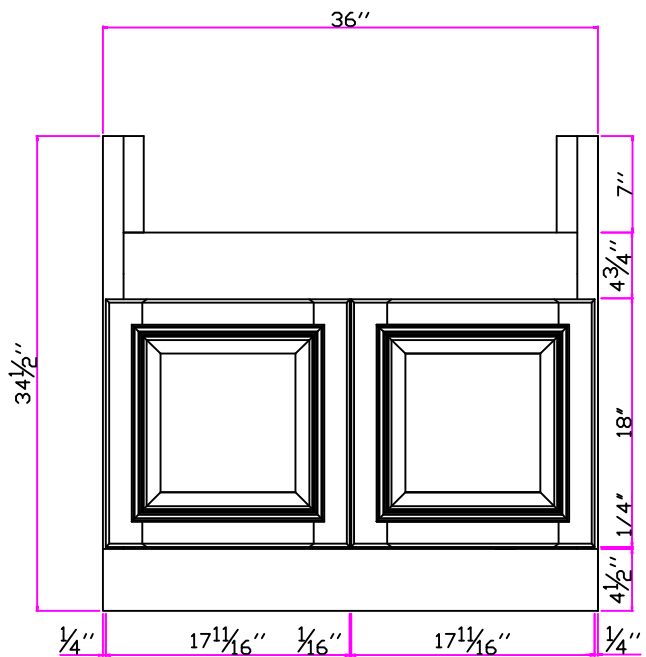


REVISIONS



NTL

BBC42-45

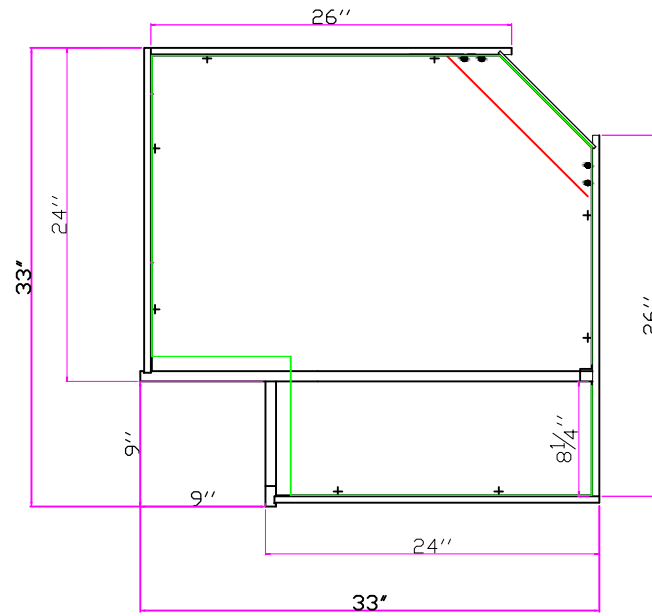
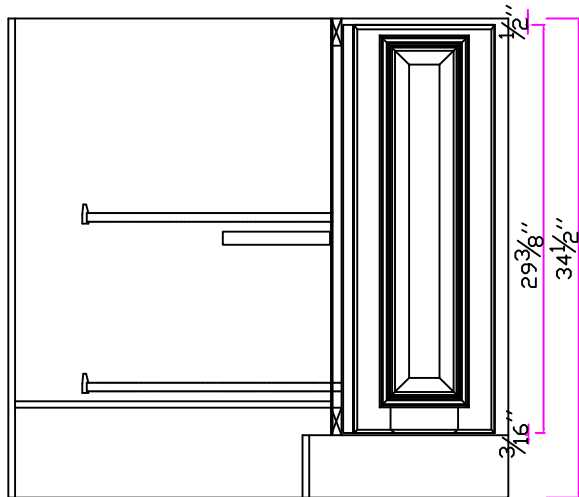


REVISIONS



NTL

FSB36

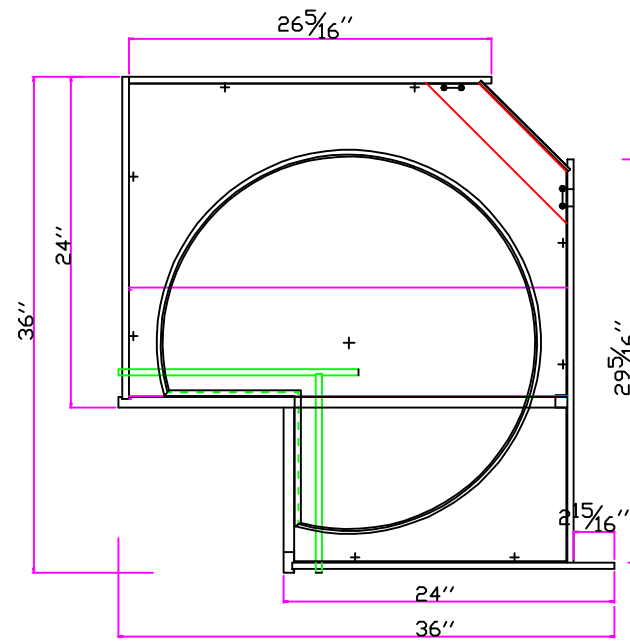
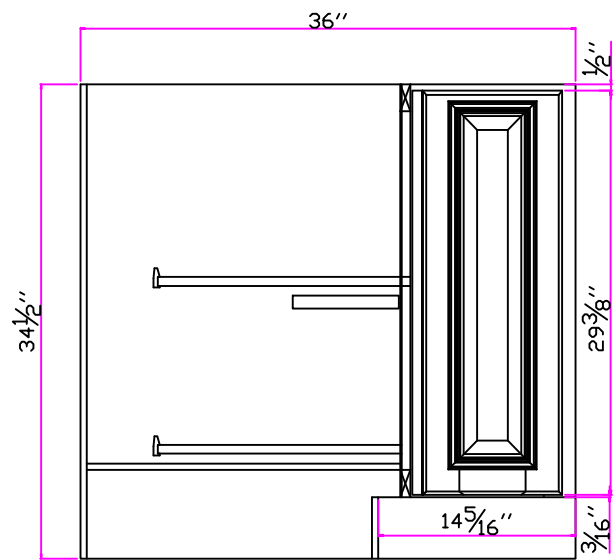


REVISIONS



NTL

ER3309

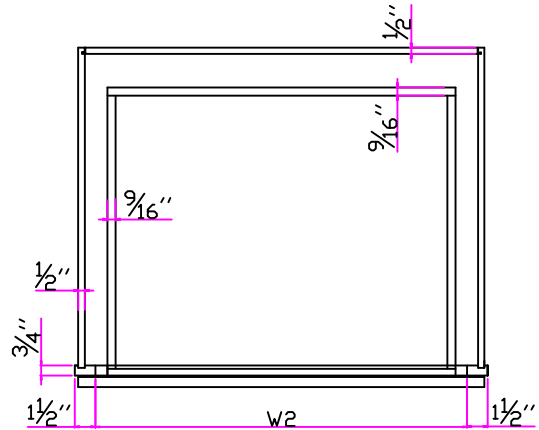
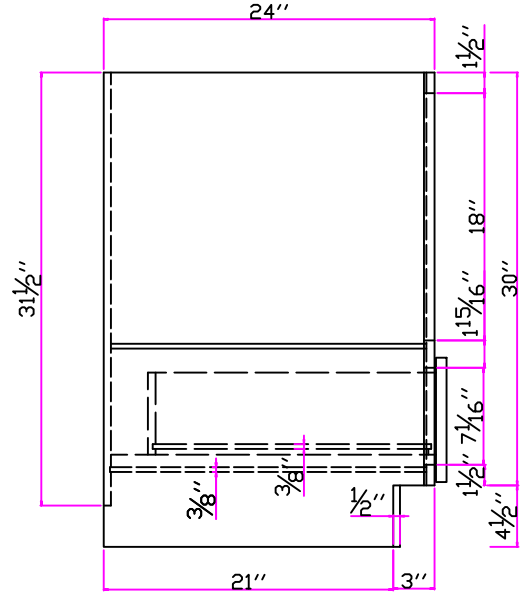
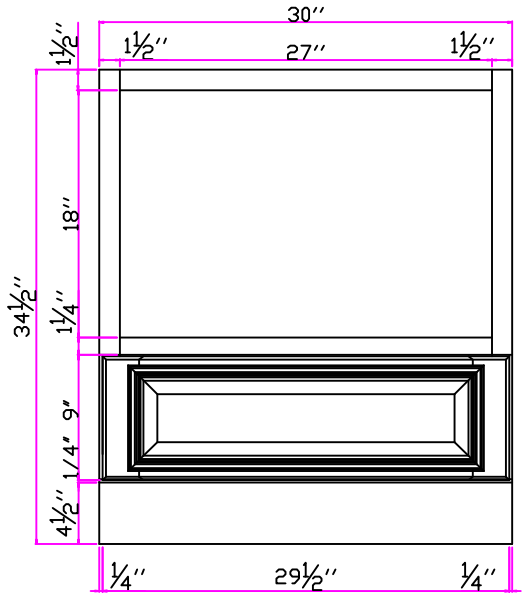


REVISIONS



NTL

DCB3612

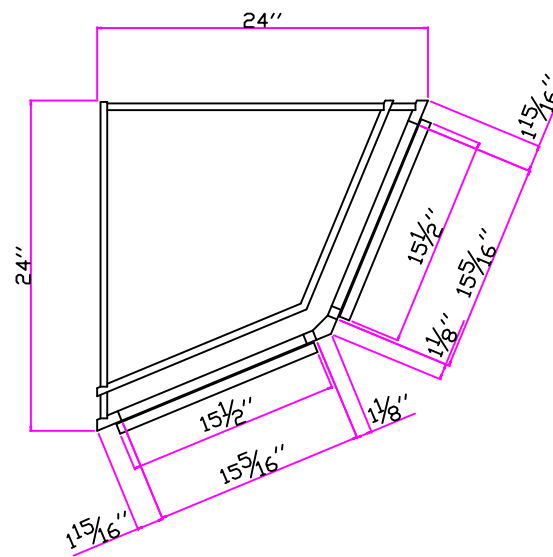
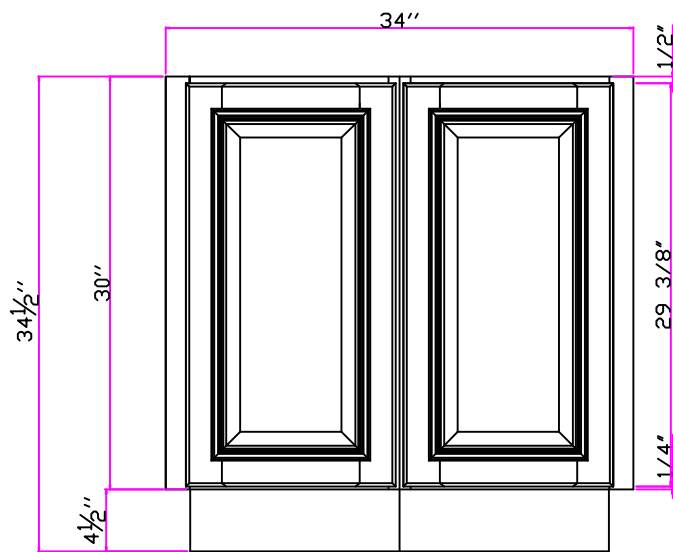


REVISIONS



NTL

MB30

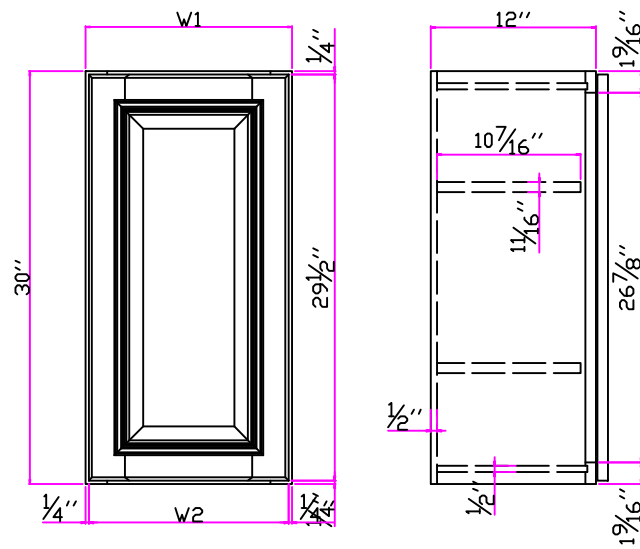


REVISIONS



NTL

BC24

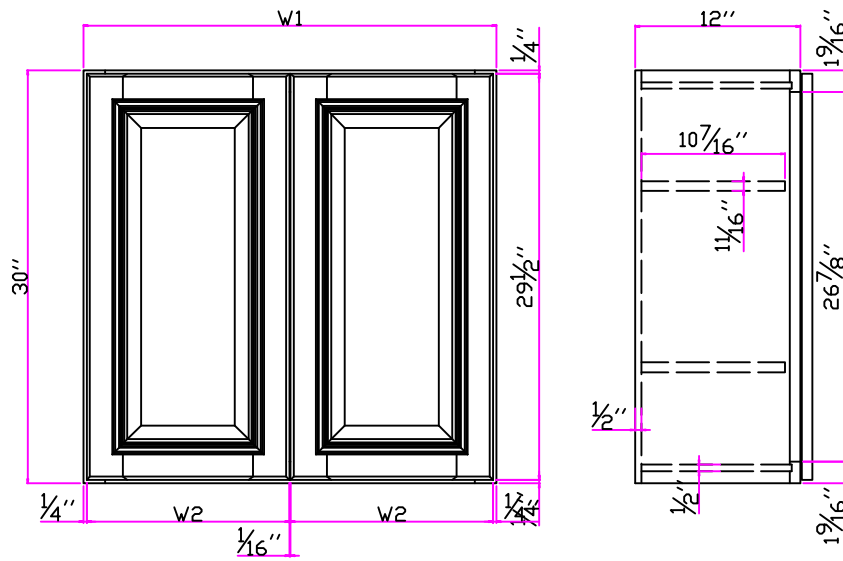


REVISIONS



NTL

W0930-W2130

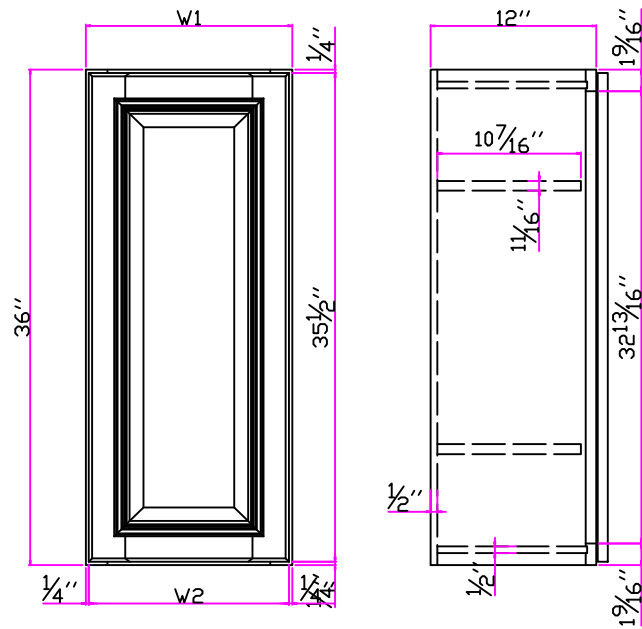


REVISIONS



NTL

W2430-4230

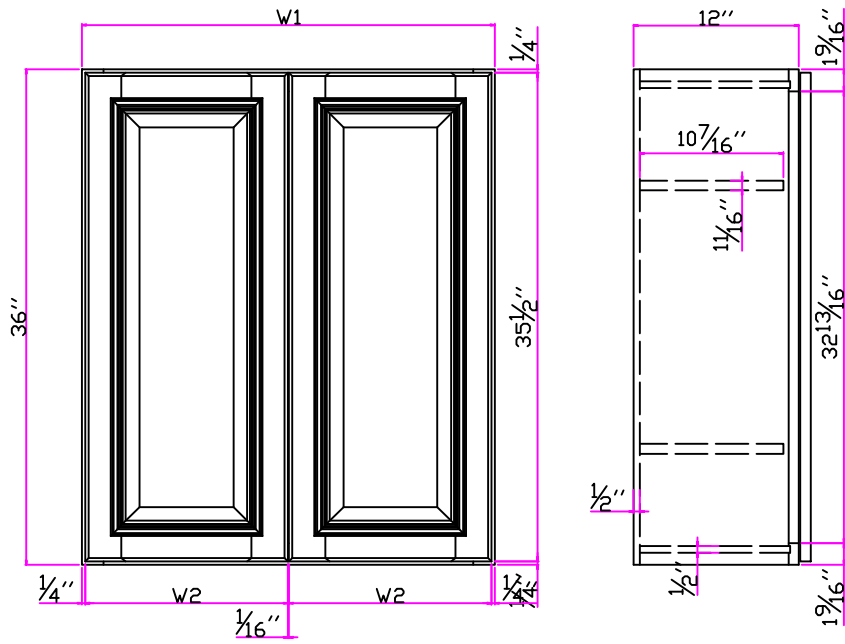


REVISIONS



NTL

W0936-2136

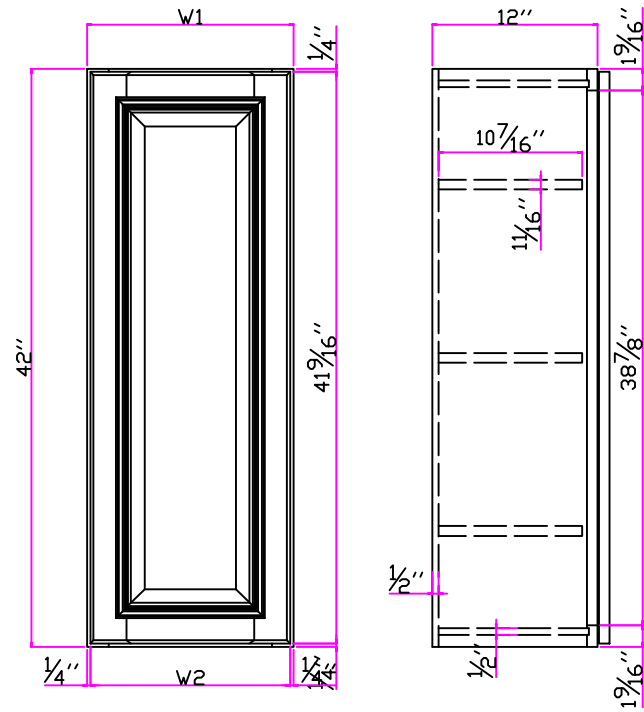


REVISIONS



NTL

W2436-W3636

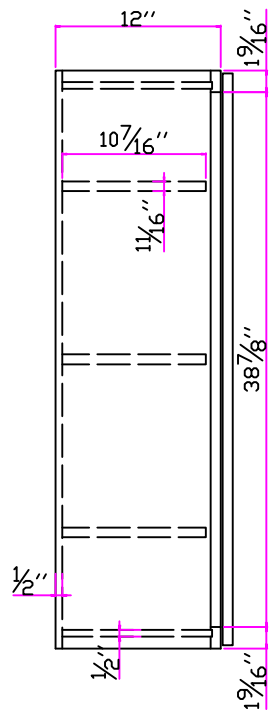
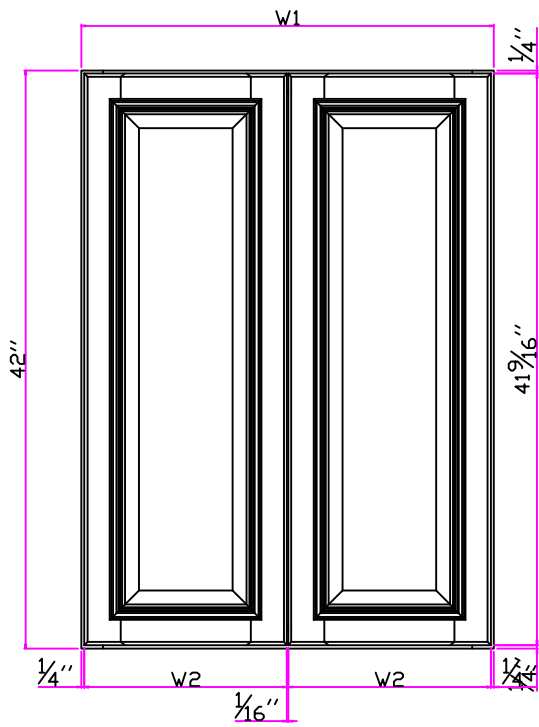


REVISIONS



NTL

W0942-W2142

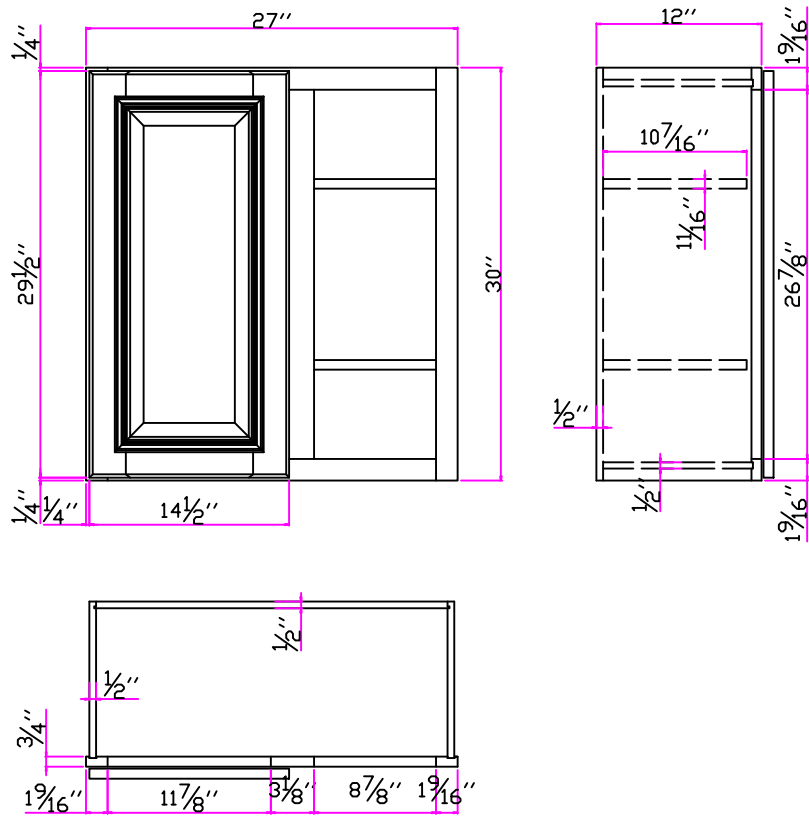


REVISIONS



NTL

W2442-4242

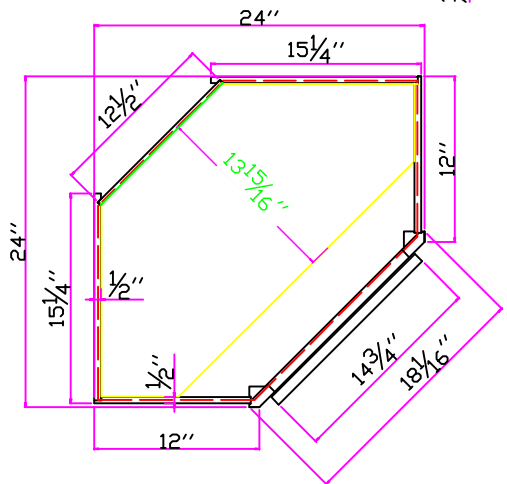
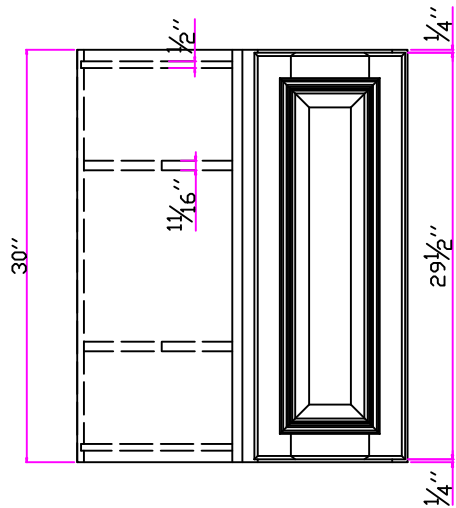


REVISIONS



NTL

WBC2730

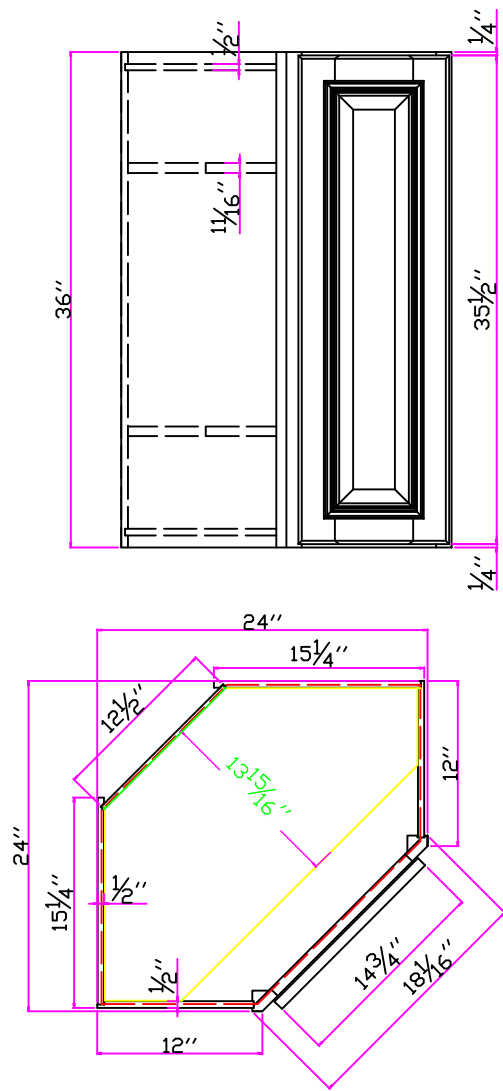


REVISIONS



NTL

WDC2430

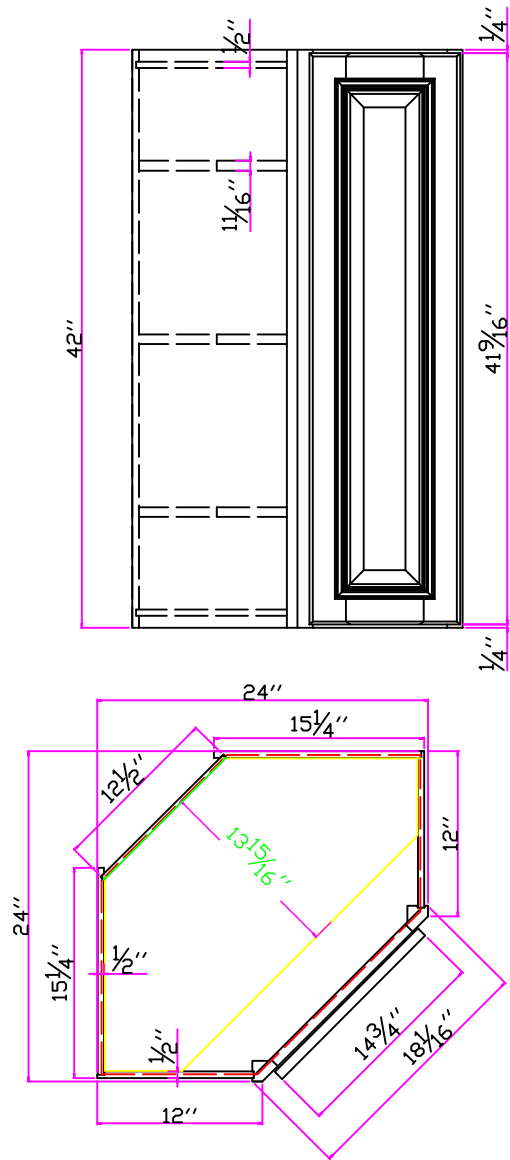


REVISIONS



NTL

WDC2436

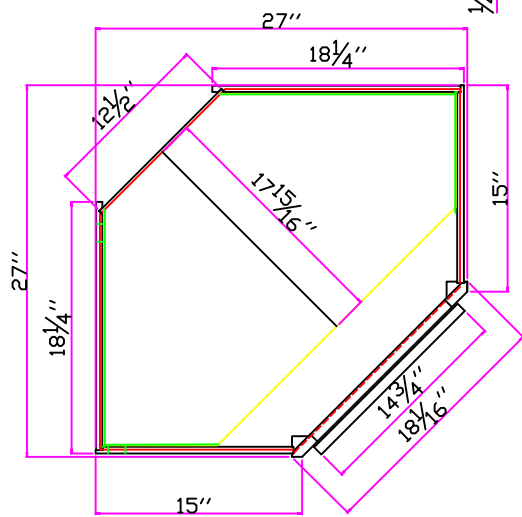
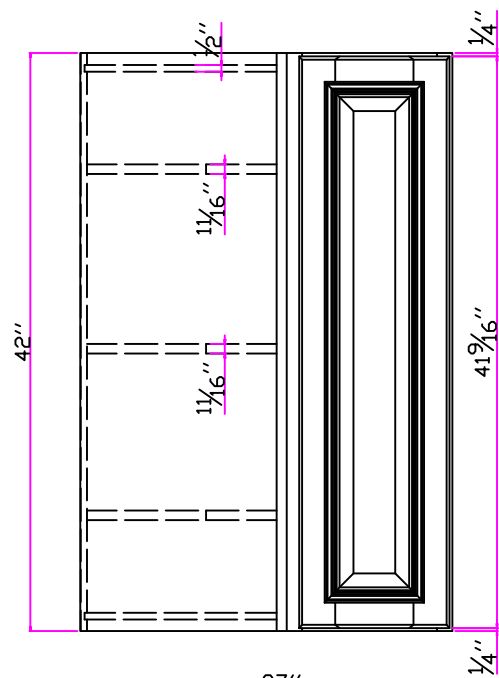


REVISIONS



NTL

WDC2442

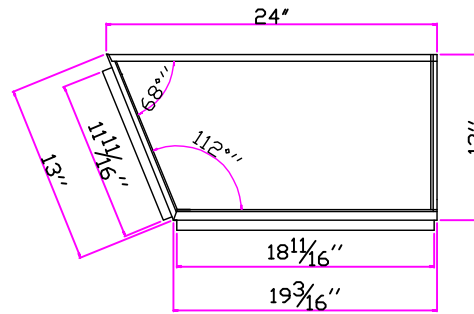
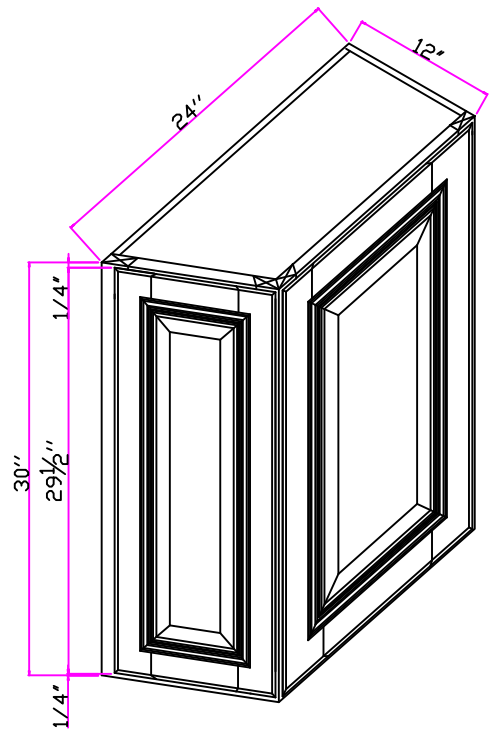


REVISIONS



NTL

WDC2742

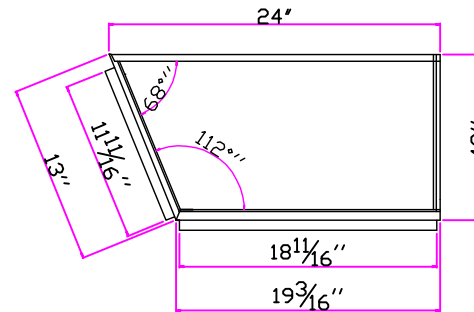
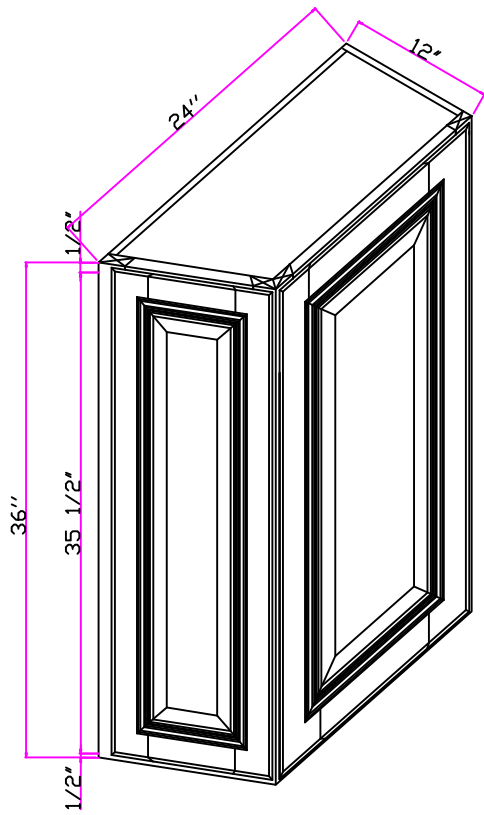


REVISIONS



NTL

WAC2430

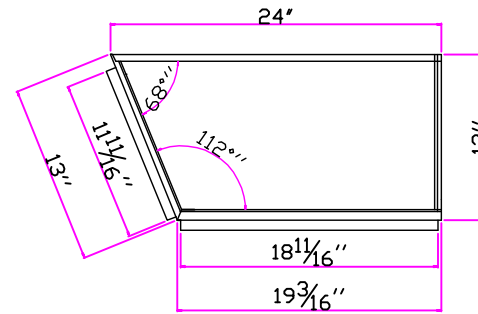
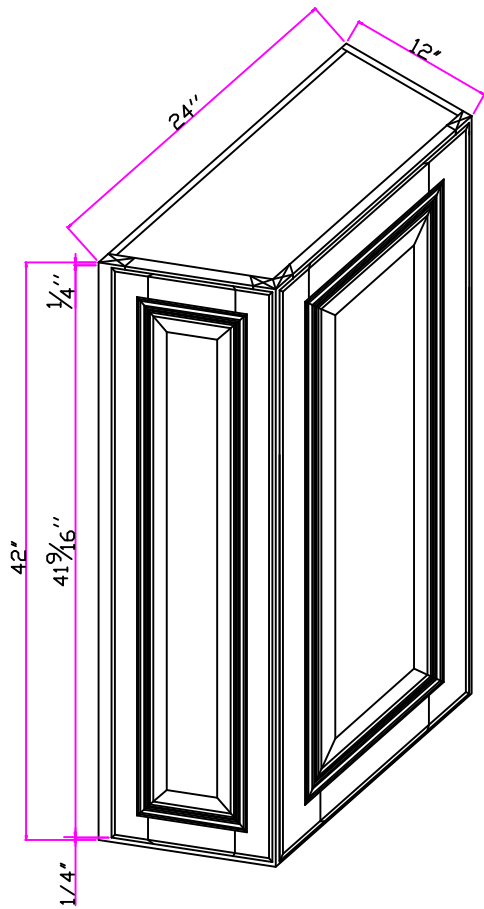


REVISIONS



NTL

WAC2436



REVISIONS



NTL

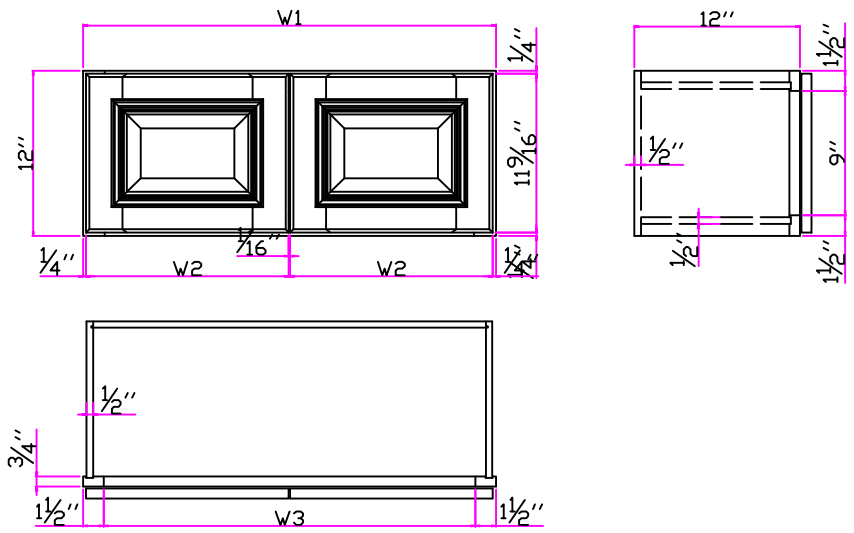
WAC2442

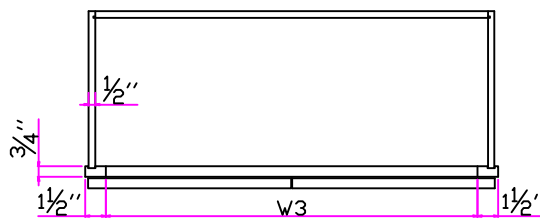
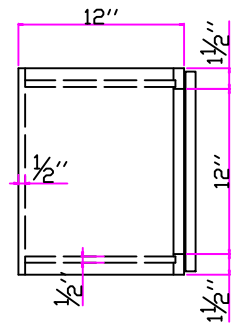
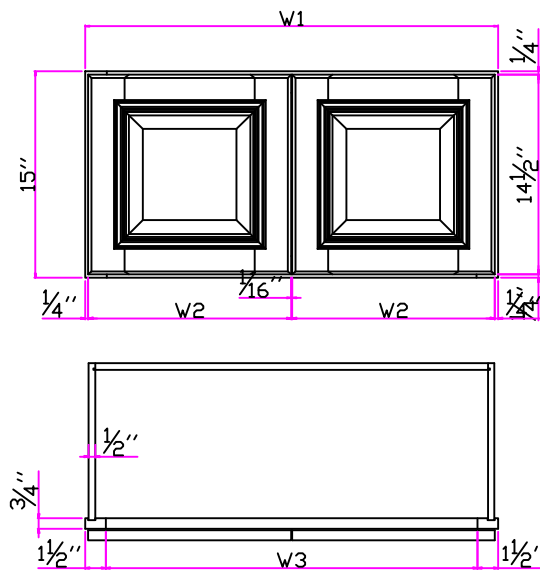
REVISIONS



NTL

W3012-W3612



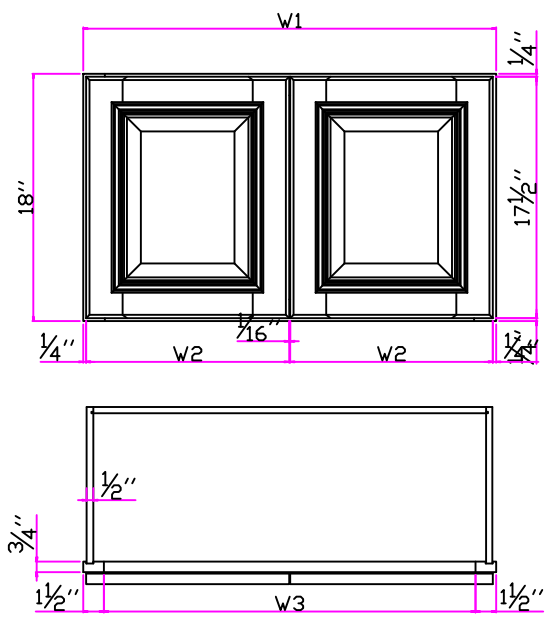


REVISIONS



NTL

W2415-W3615

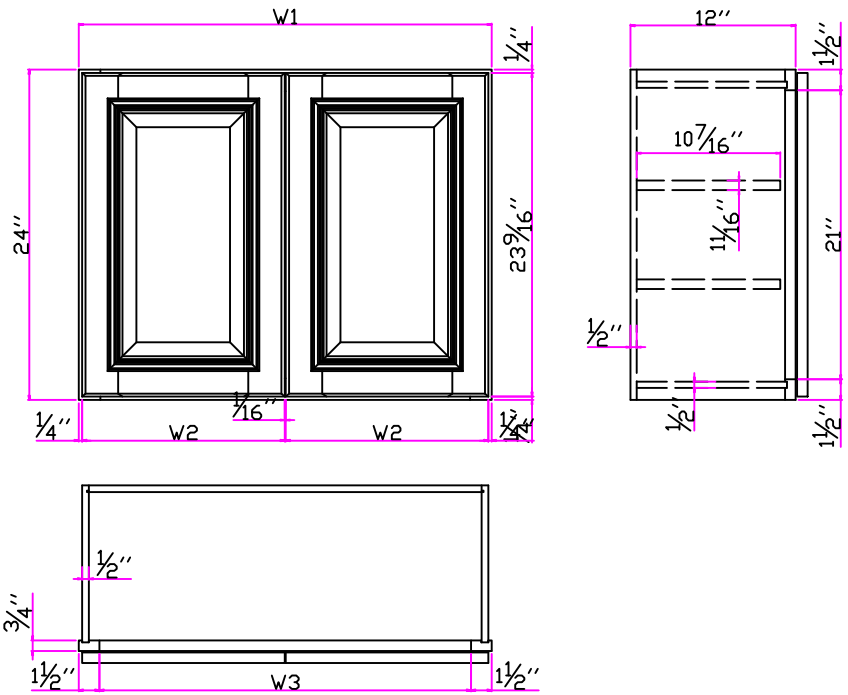


REVISIONS



NTL

W3018-W3618



REVISIONS



NTL

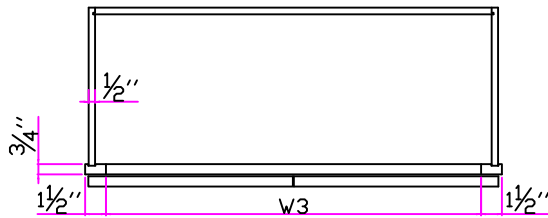
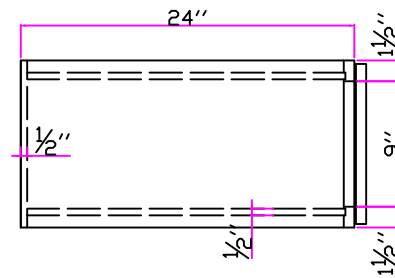
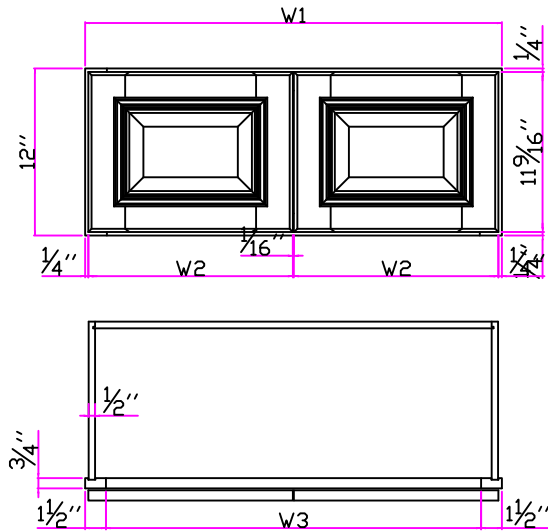
W3024-W3624

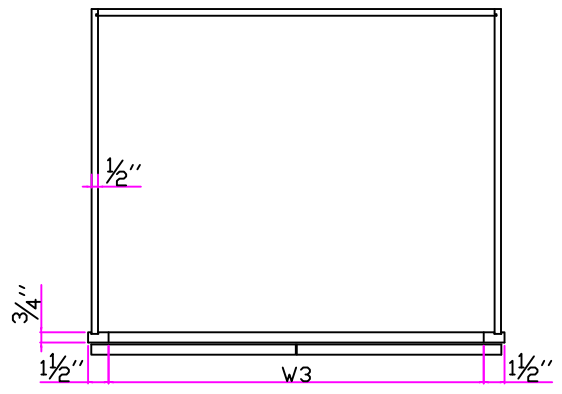
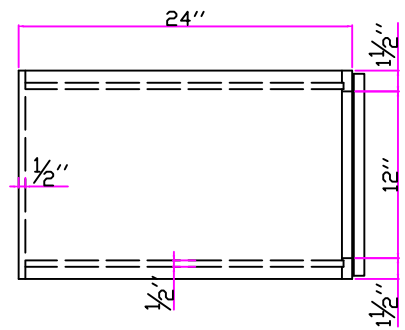
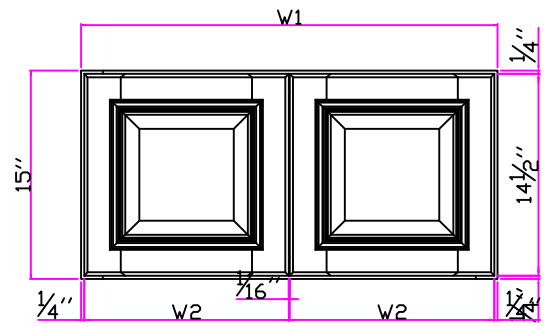
REVISIONS



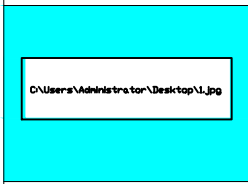
NTL

W301224
W331224
W361224



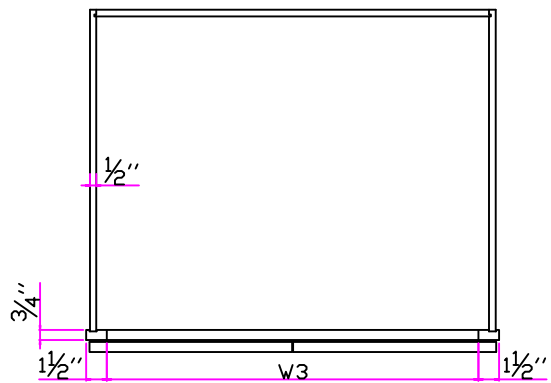
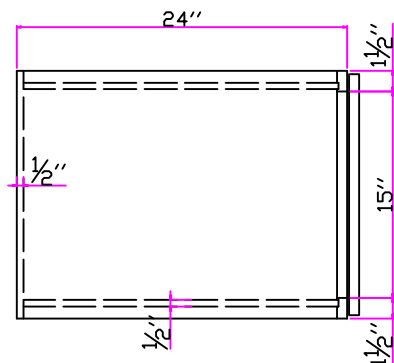
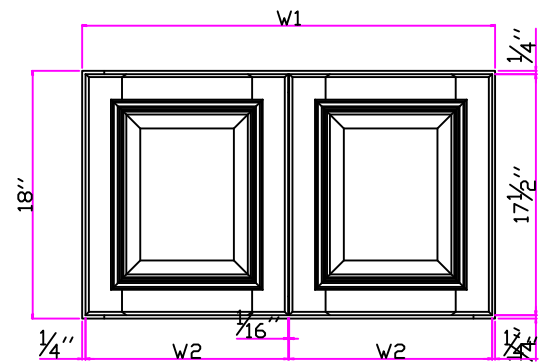


REVISIONS



NTL

W331524
W361524

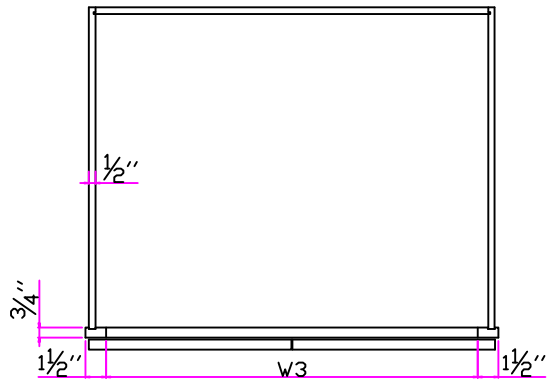
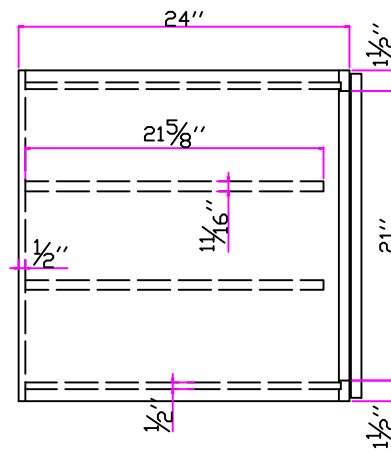
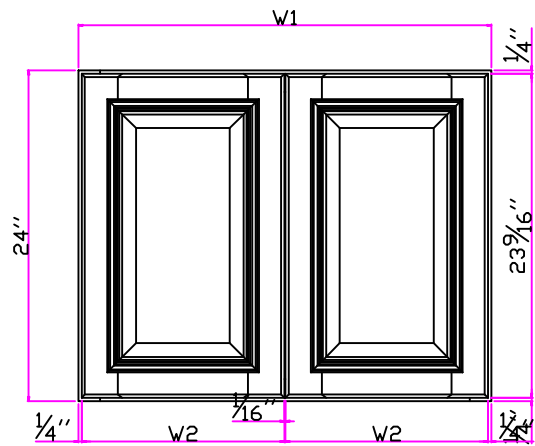


REVISIONS



NTL

W361824

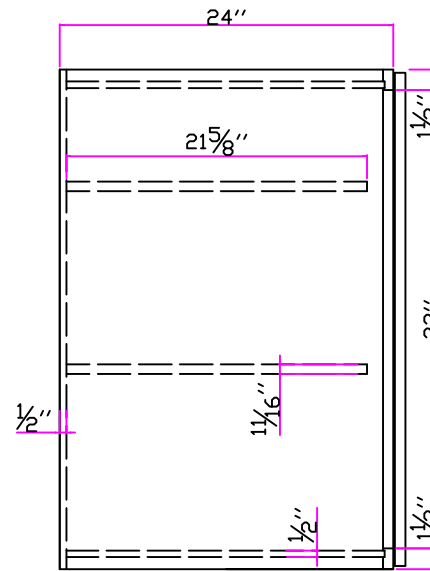
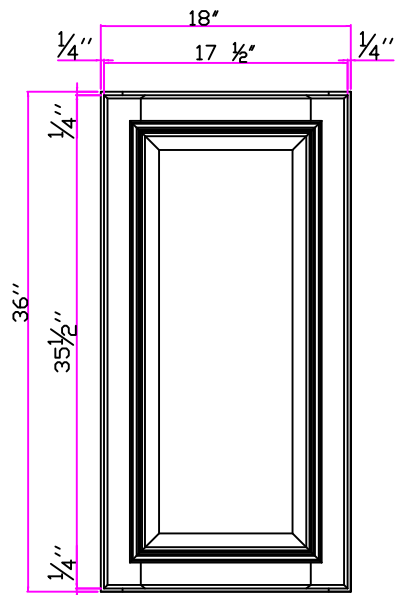


REVISIONS



NTL

W332424
W362424

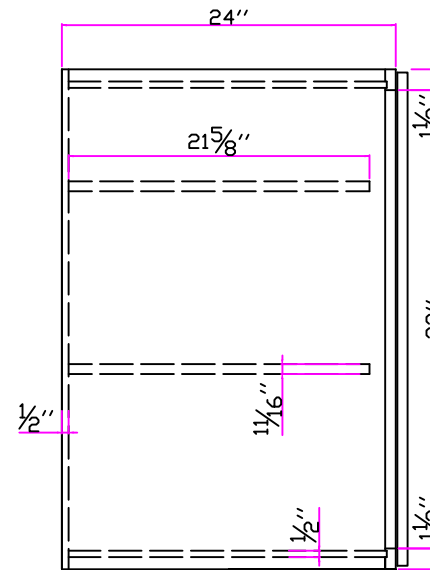
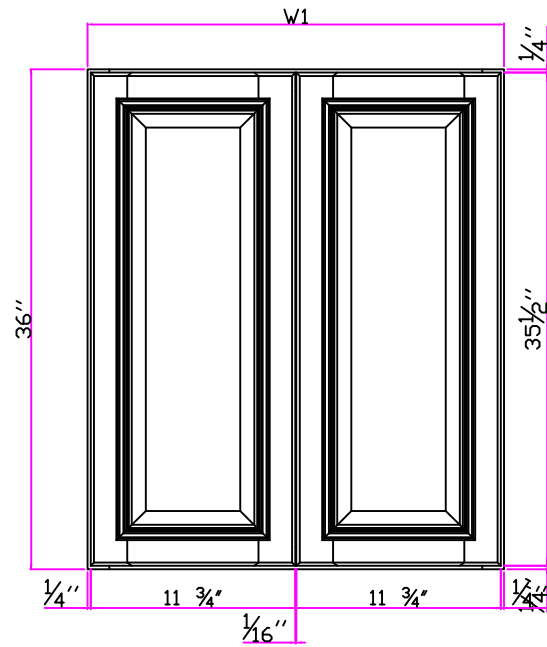


REVISIONS



NTL

W183624

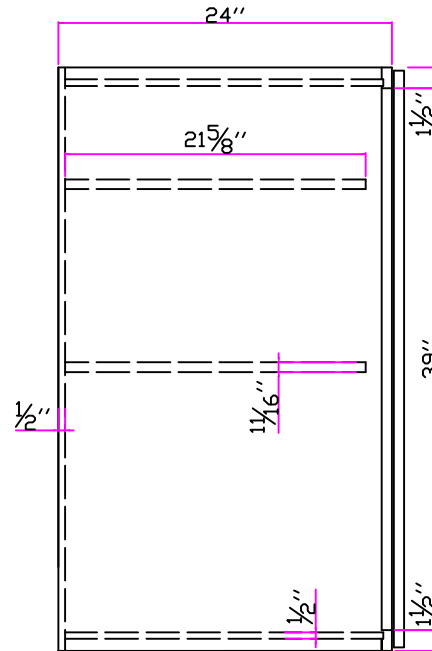
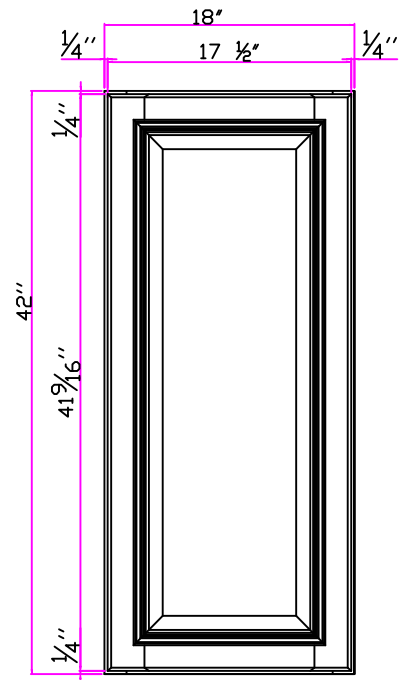


REVISIONS



NTL

W243624

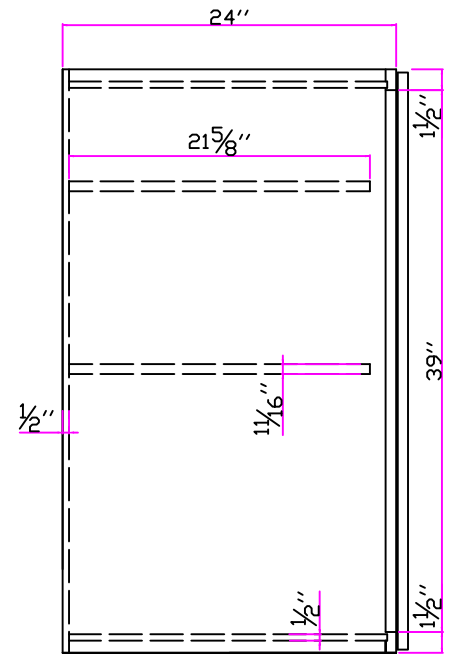
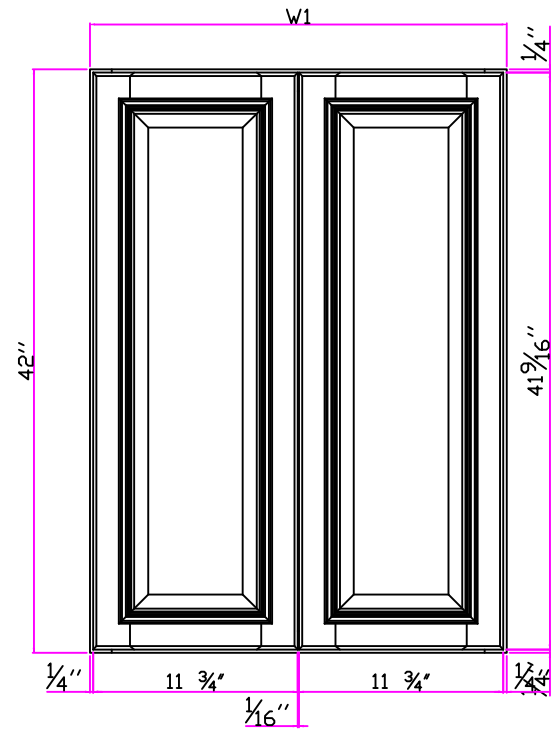


REVISIONS



NTL

W184224

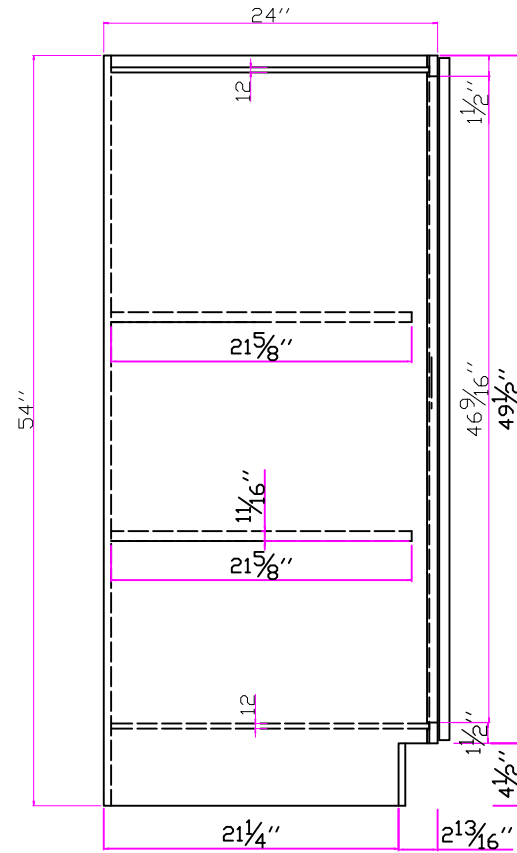
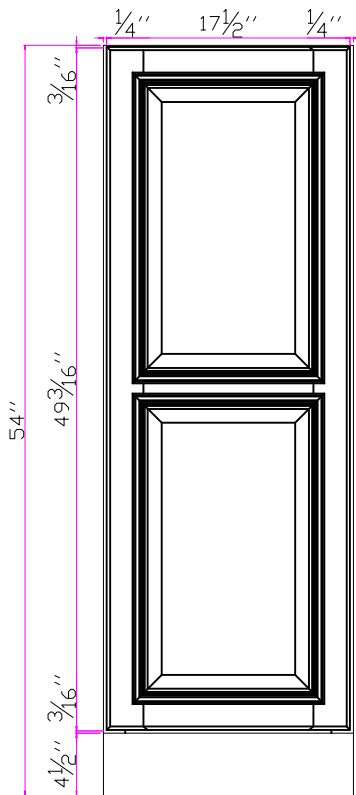


REVISIONS



NTL

W244224

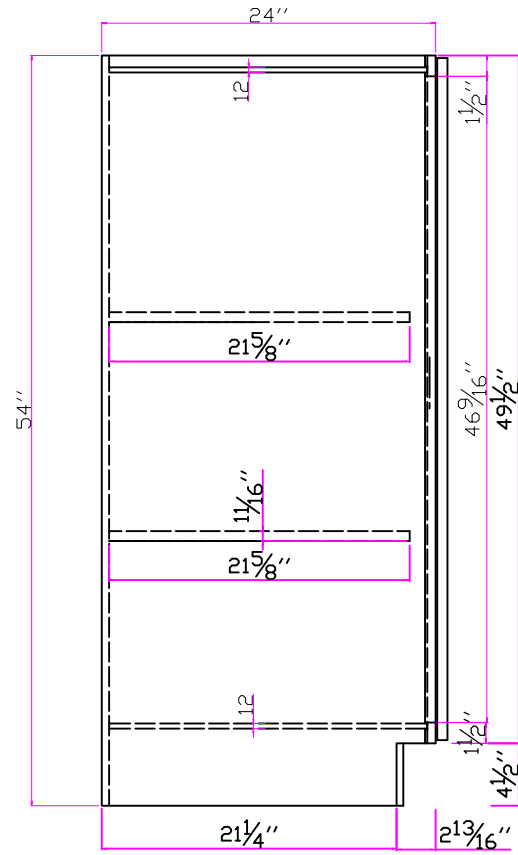
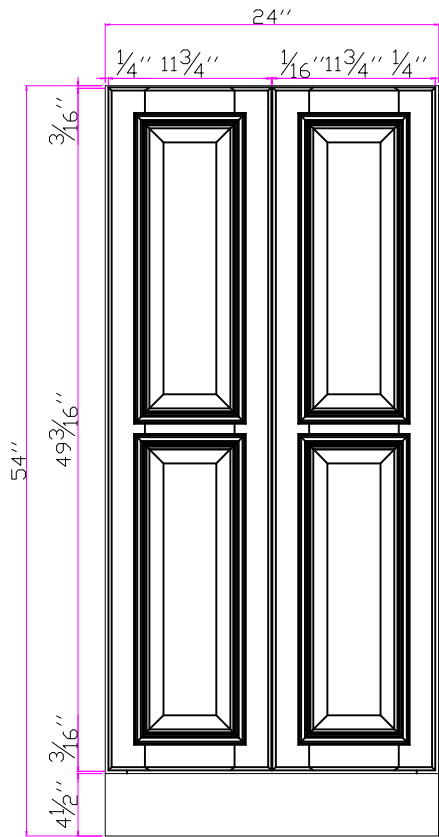


REVISIONS



NTL

UCB1854

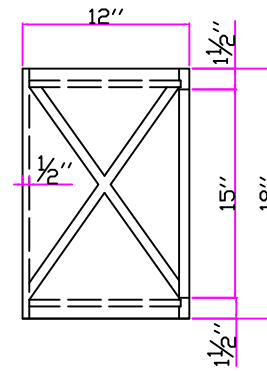
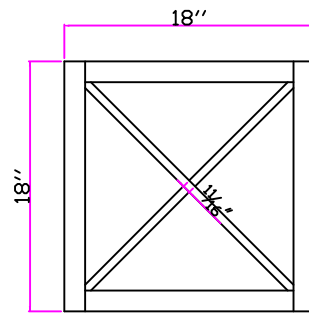


REVISIONS



NTL

UCB2454

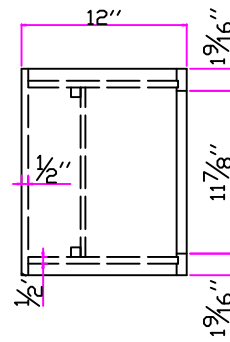
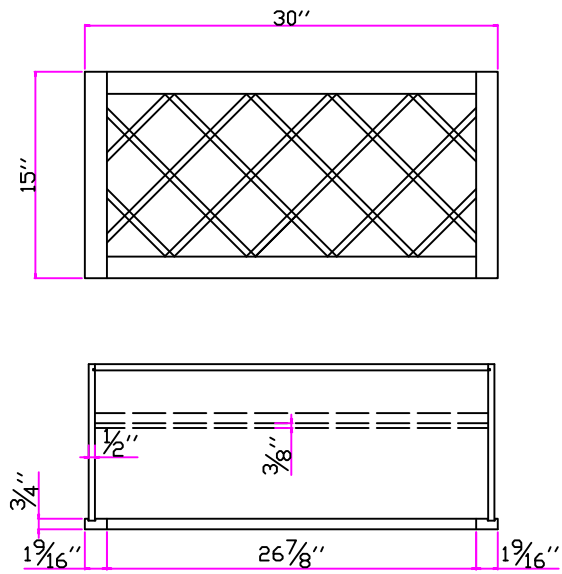


REVISIONS



NTL

WR1818

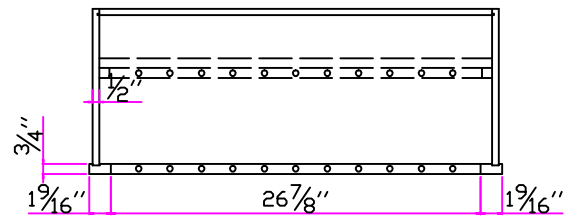
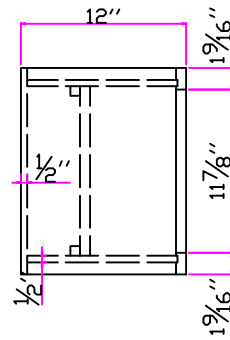
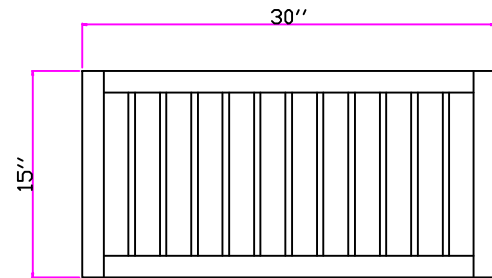


REVISIONS



NTL

WR3015

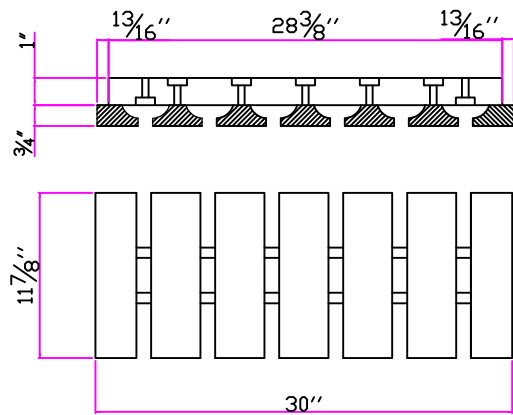


REVISIONS



NTL

PR3015

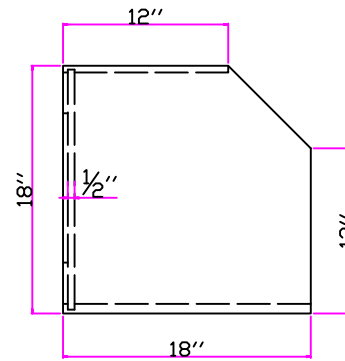
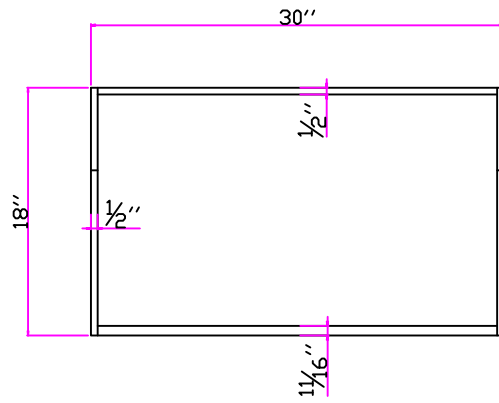


REVISIONS



NTL

SGH30

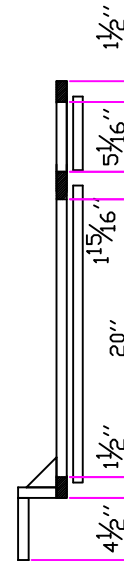
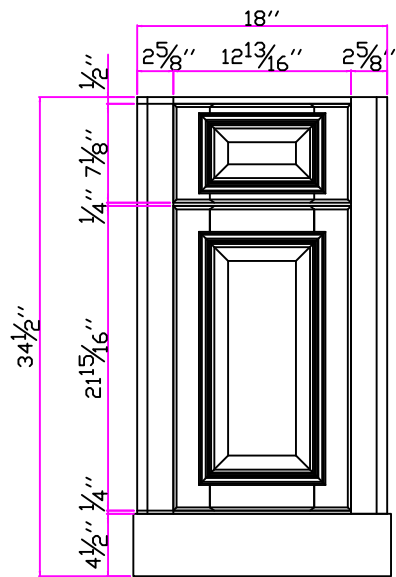


REVISIONS



NTL

MC3018



REVISIONS



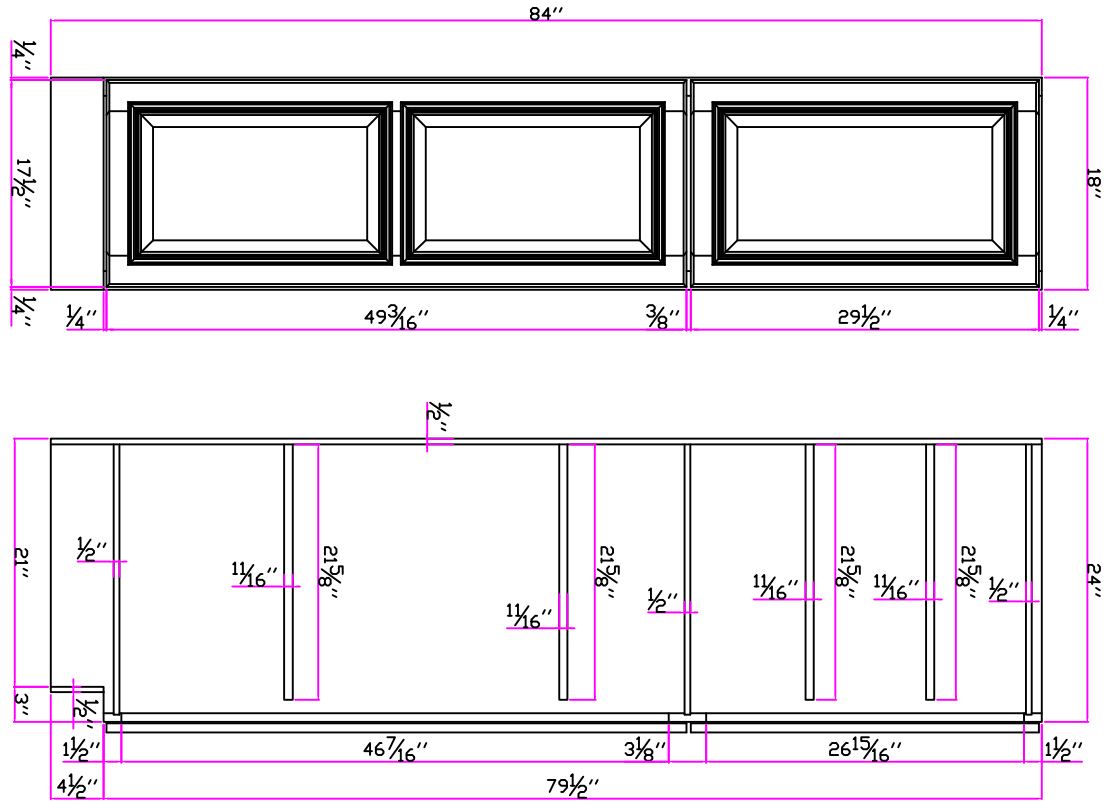
NTL

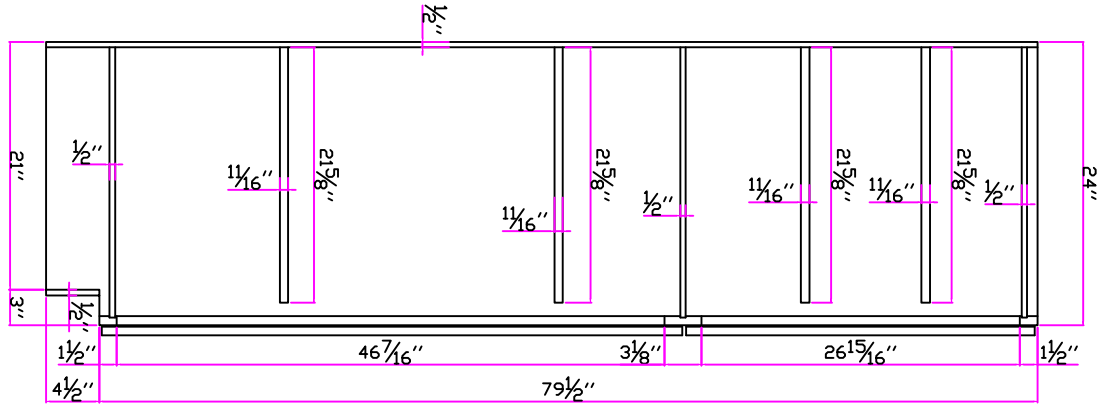
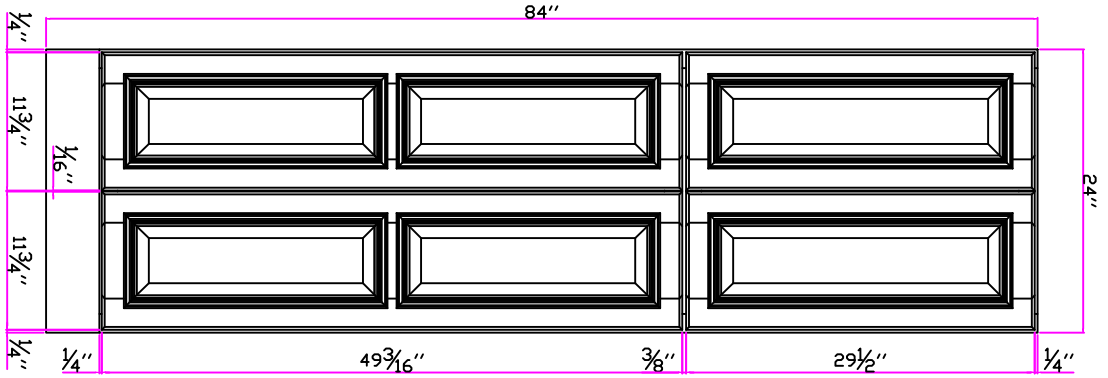
CSF36



NTL

WP1884







N TL

OU332484

