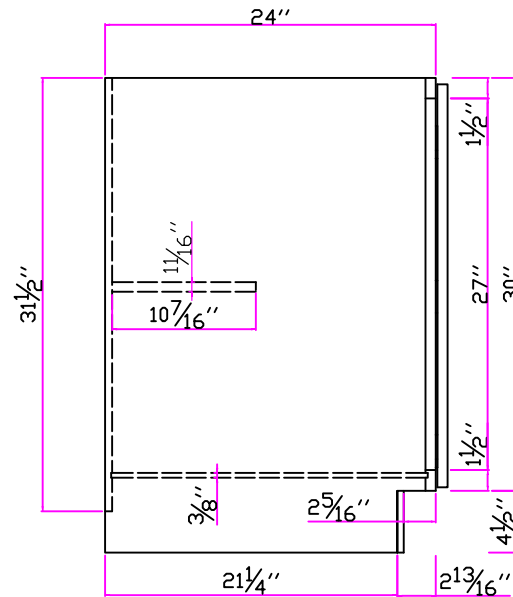
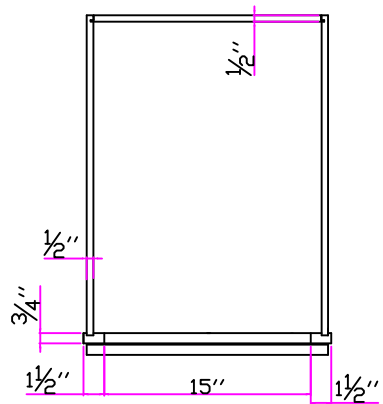
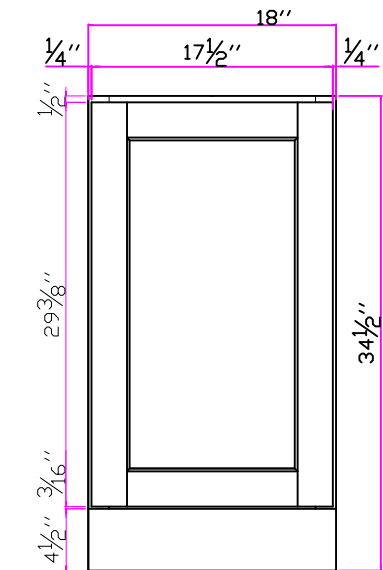


REVISIONS



RWS

B09-FH

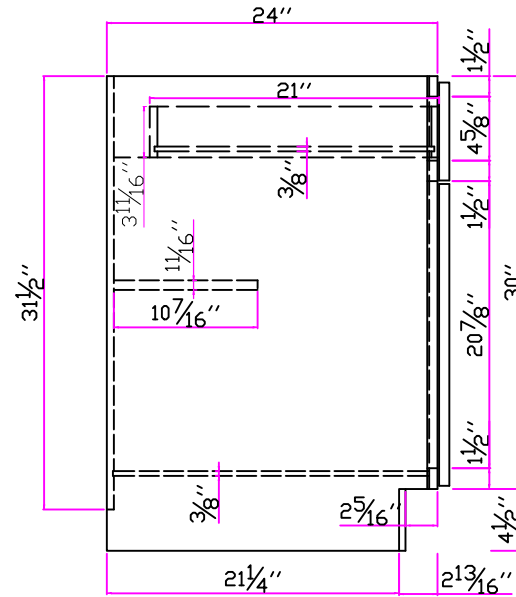
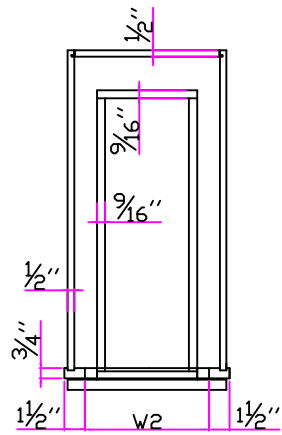
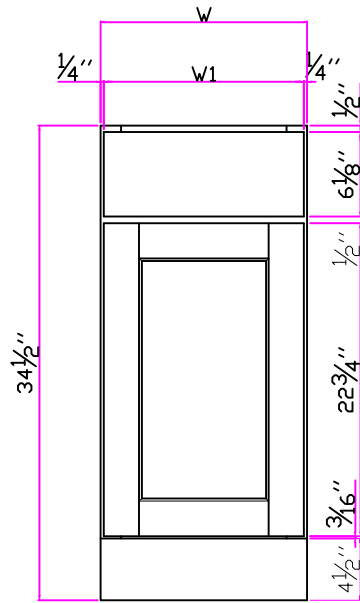


REVISIONS



RWS

B18-FH

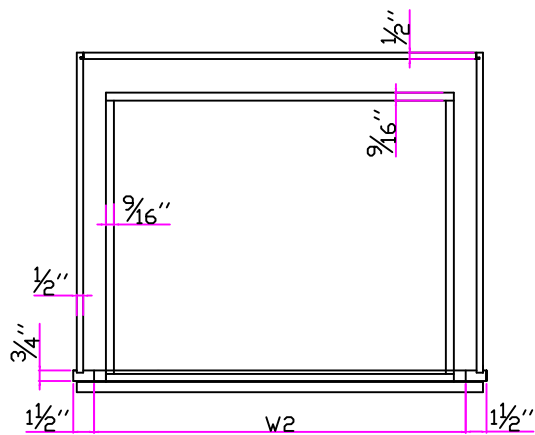
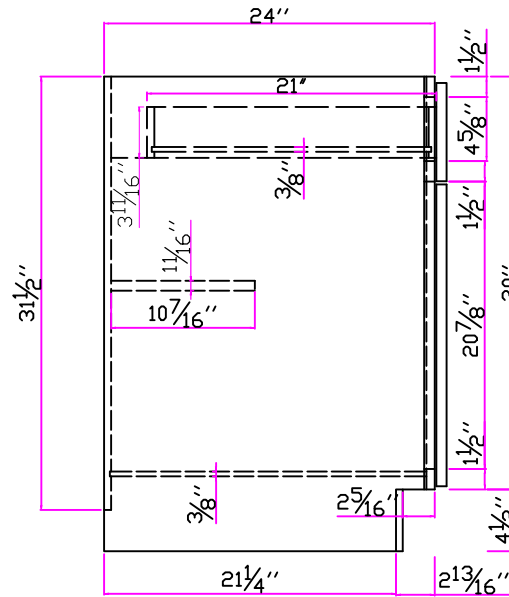
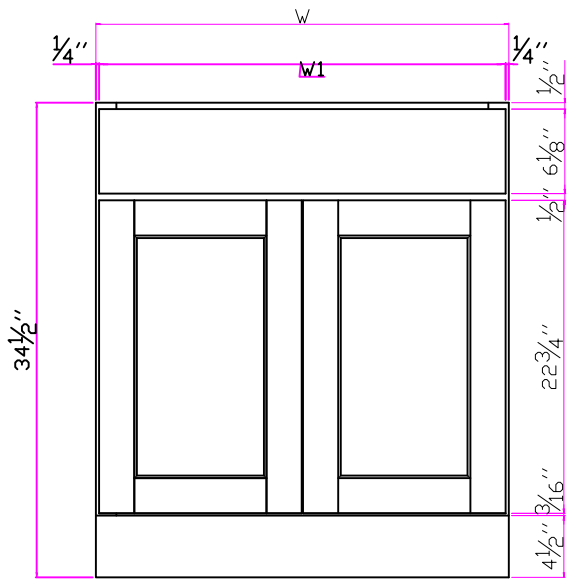


REVISIONS



RWS

B12-B21

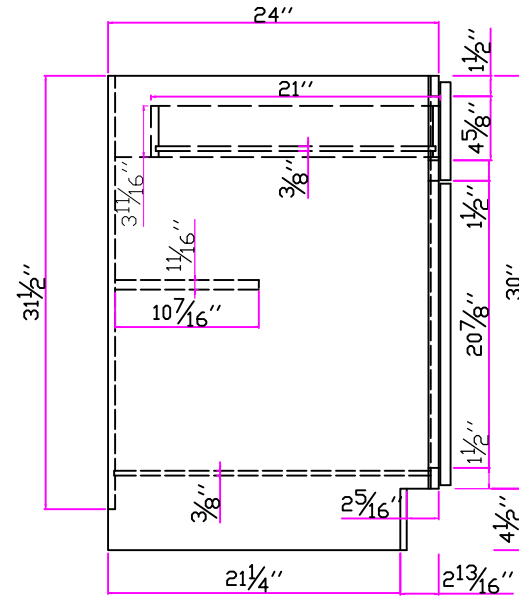
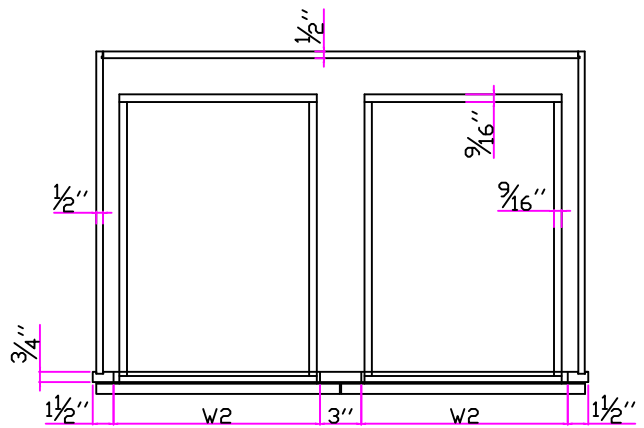
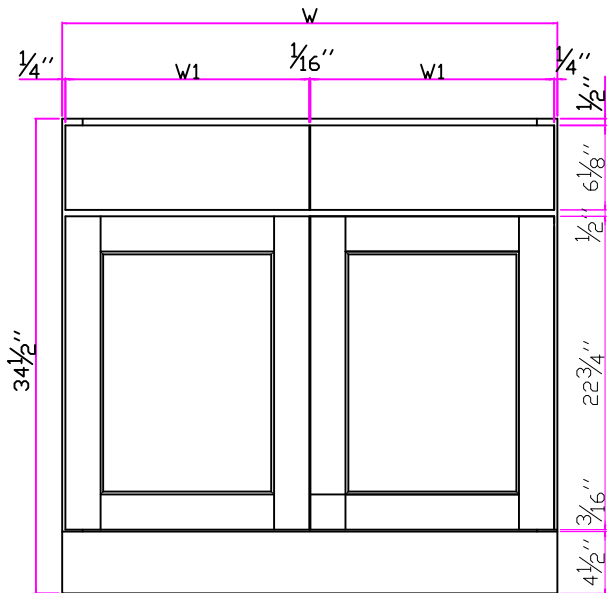


REVISIONS



RWS

B24-B30

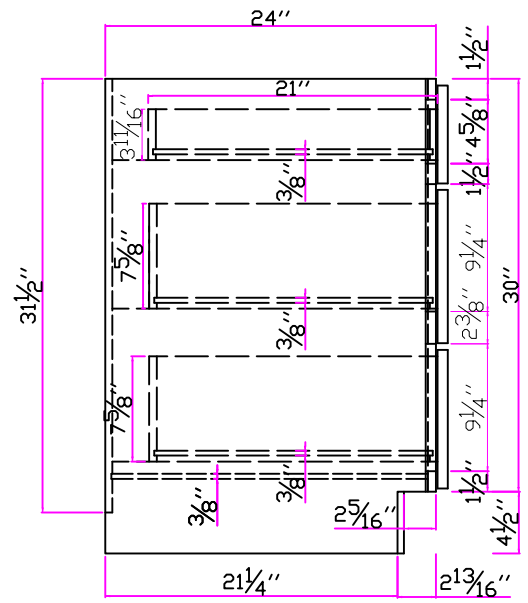
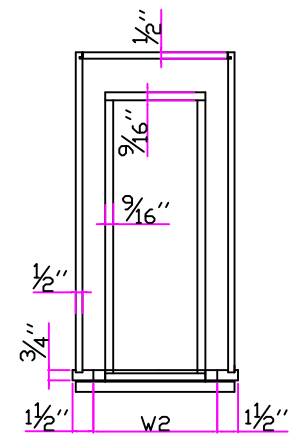
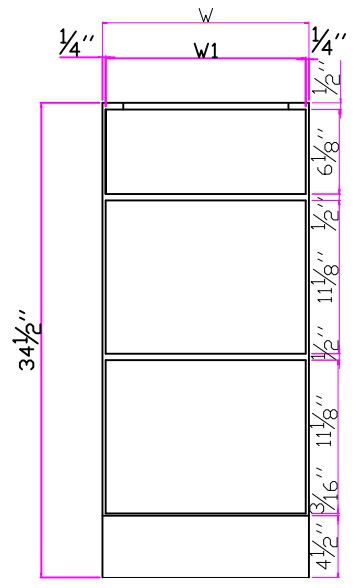


REVISIONS



RWS

B33-B36

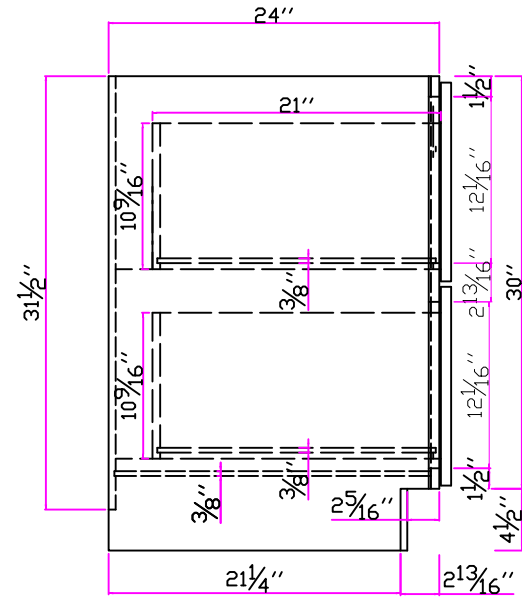
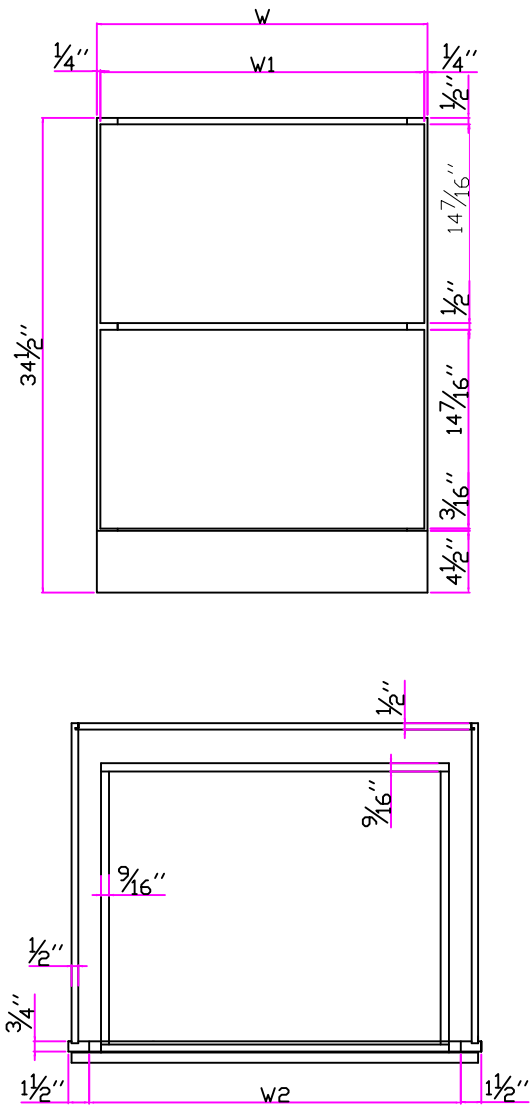


REVISIONS



RWS

DB15-DB30

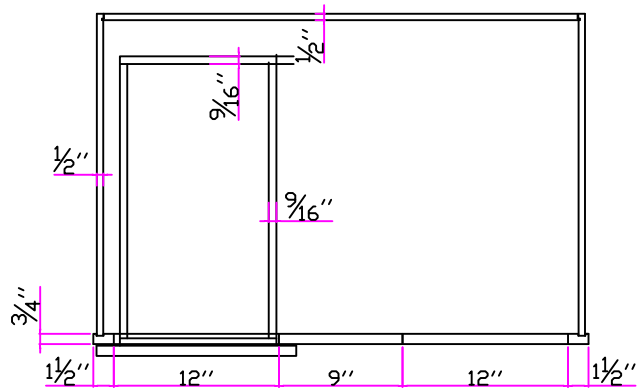
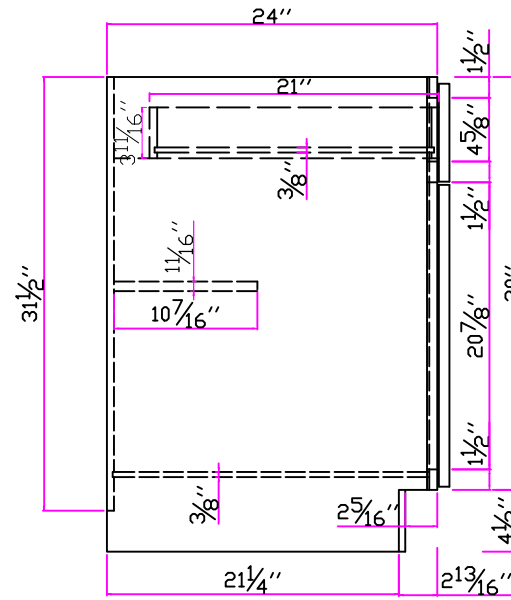
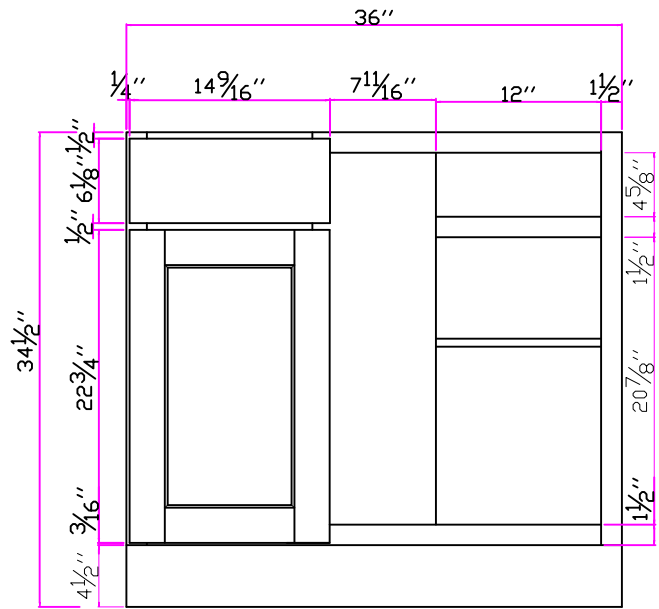


REVISIONS



RWS

DB24-2
DB30-2

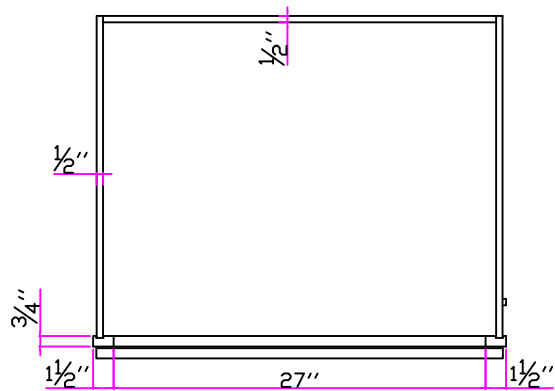
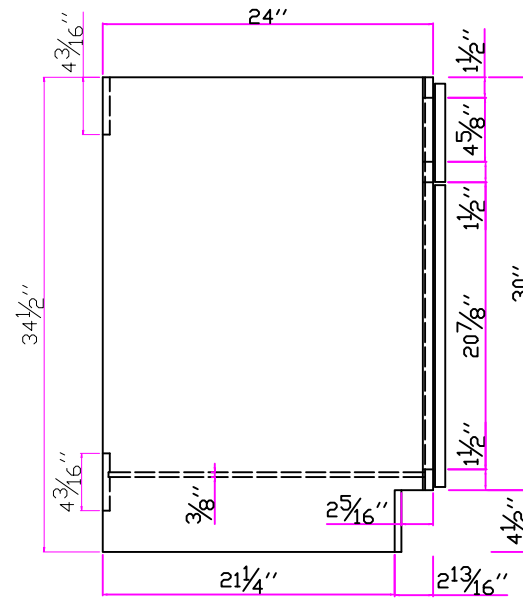
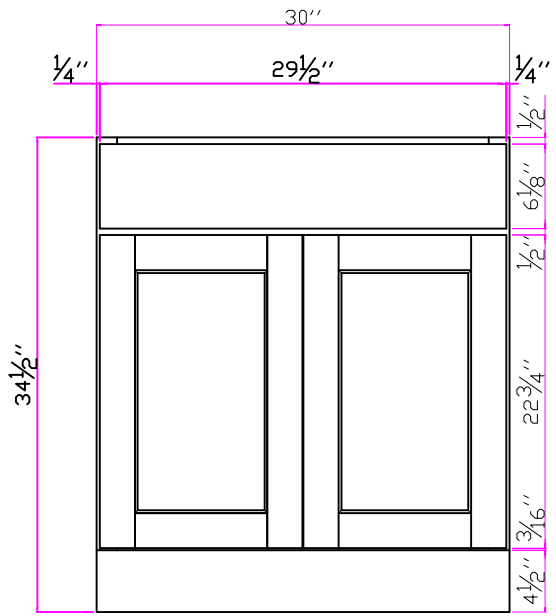


REVISIONS



RWS

BBC42-45

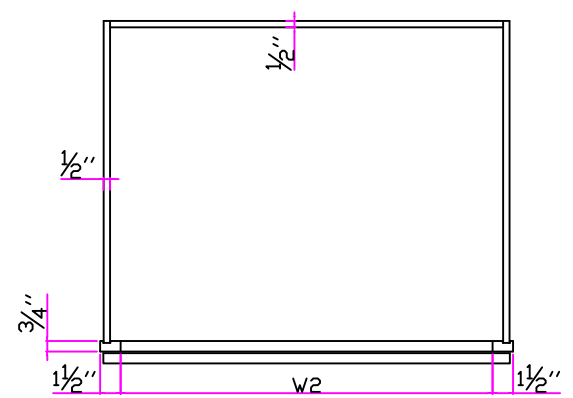
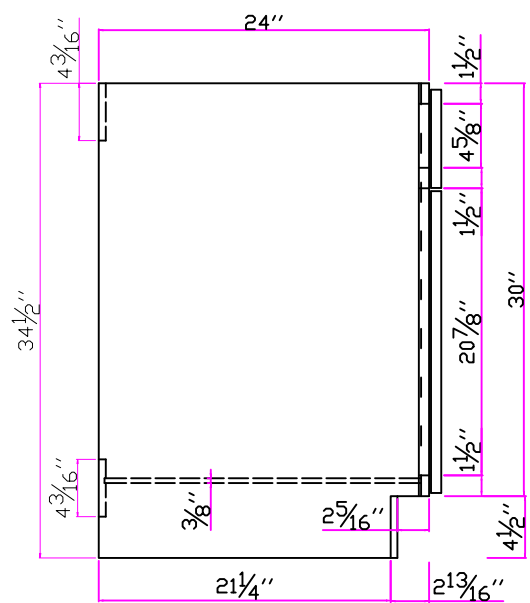
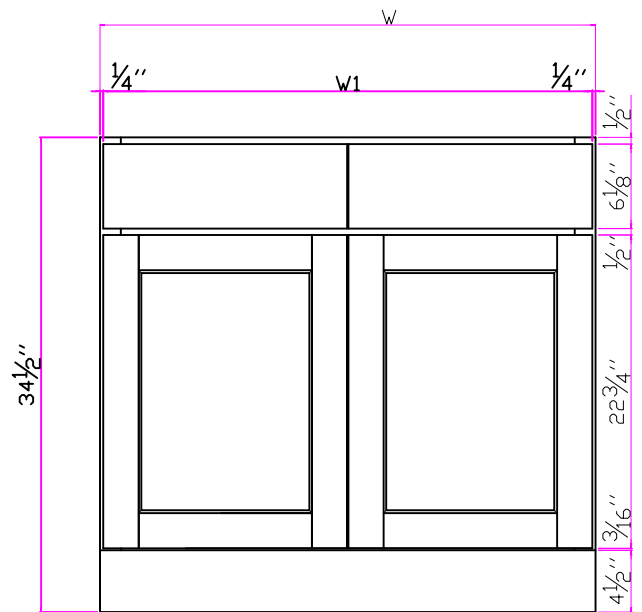


REVISIONS



RWS

SB30

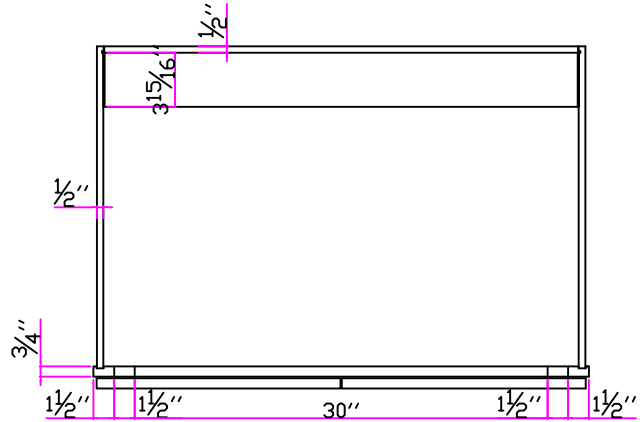
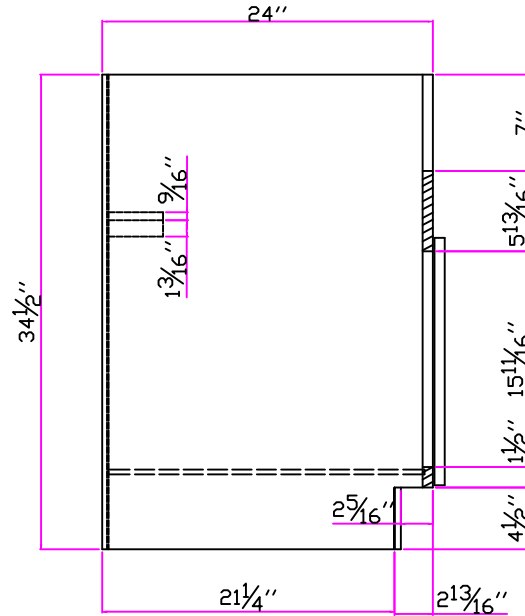
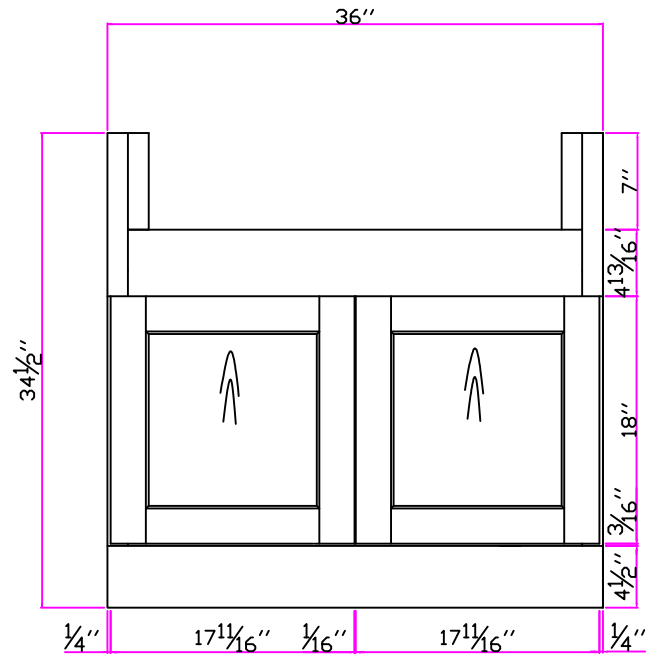


REVISIONS



RWS

SB33-SB42

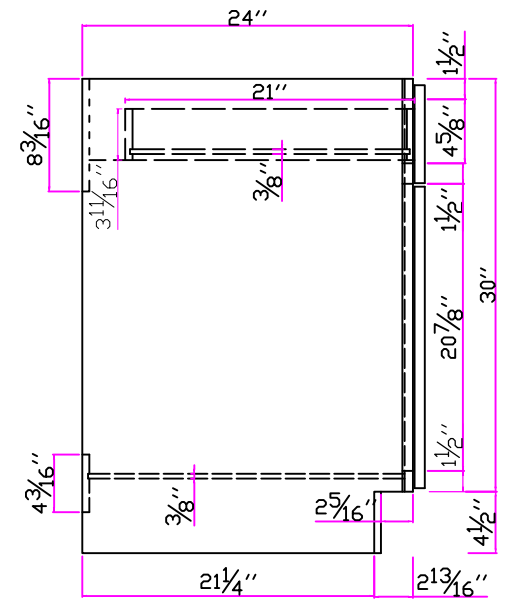
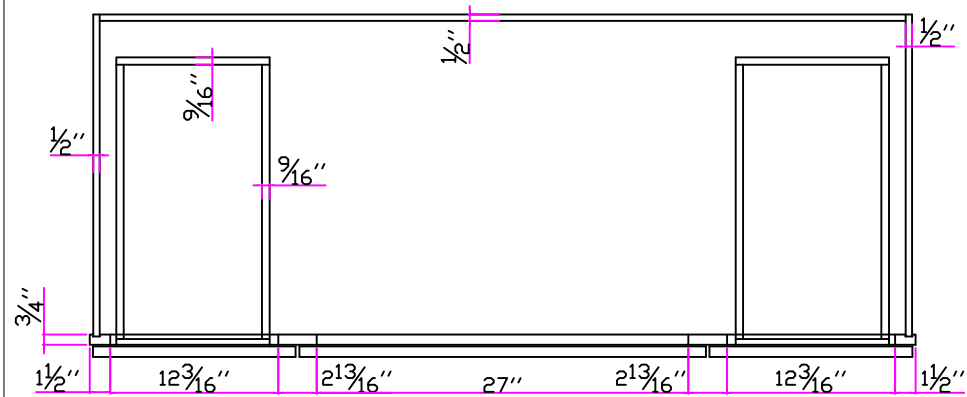
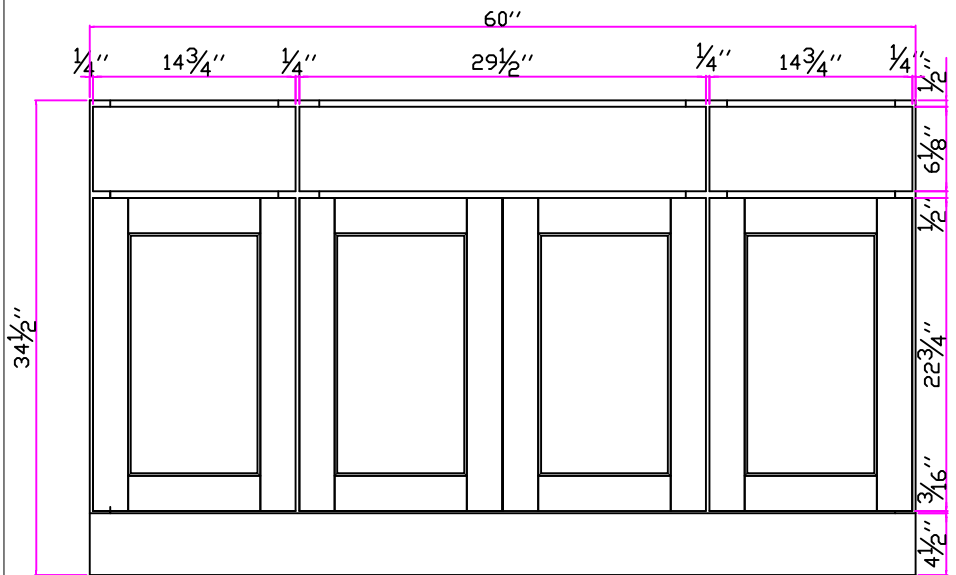


REVISIONS



RWS

FSB36

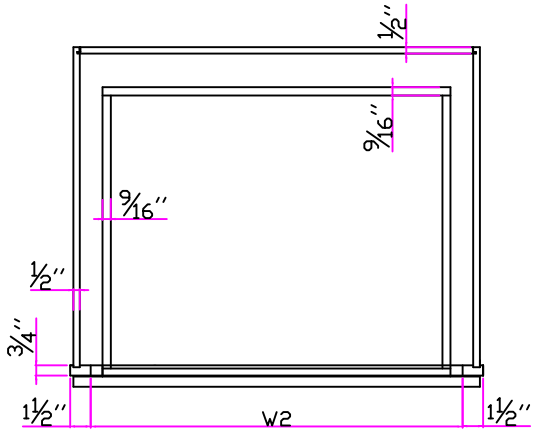
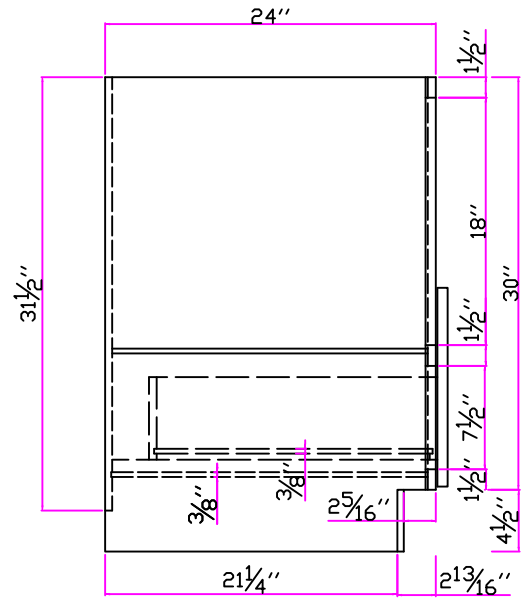
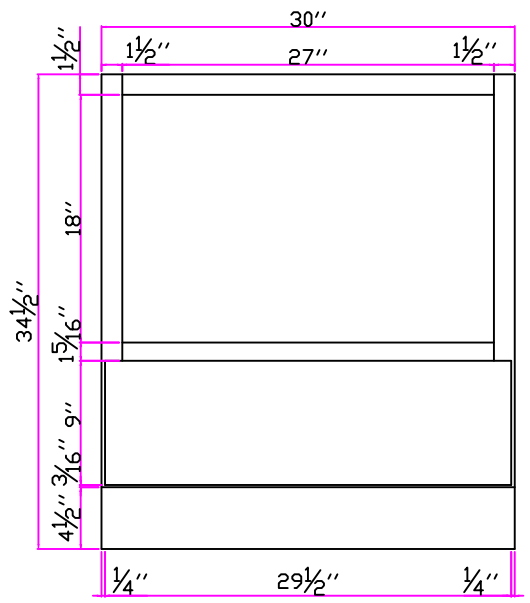


REVISIONS



RWS

SB60

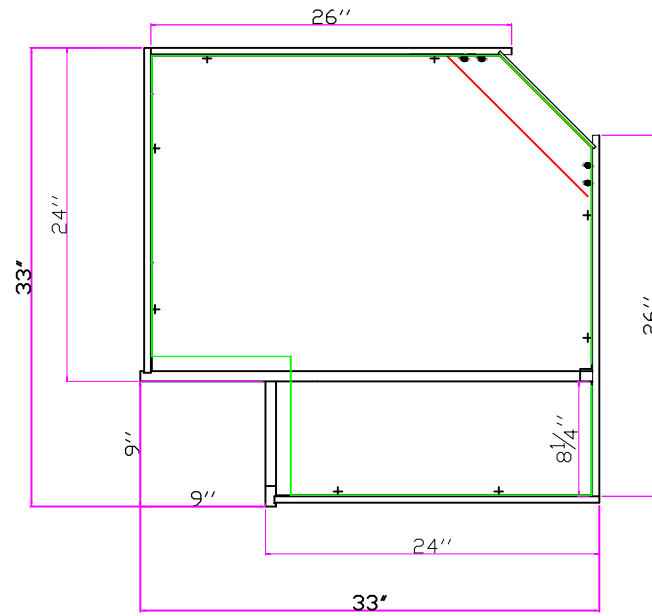
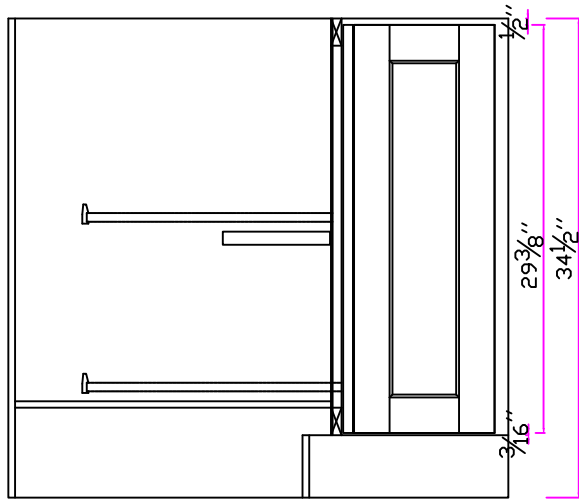


REVISIONS



RWS

MB30

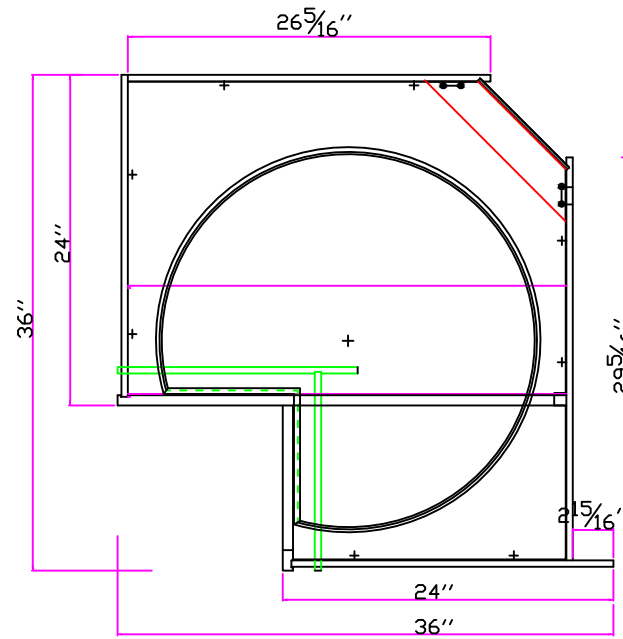
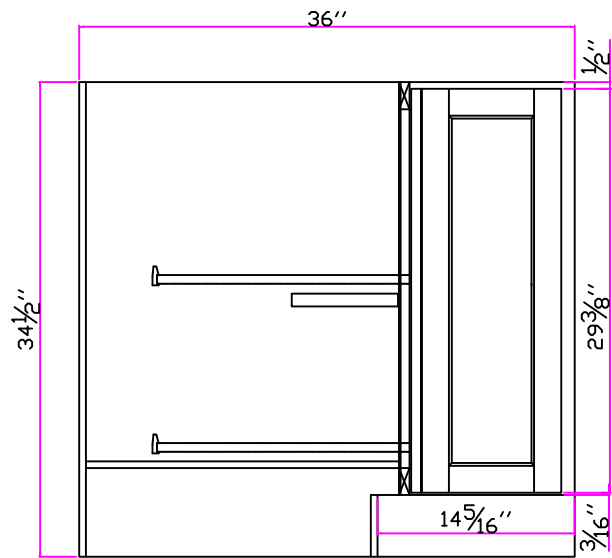


REVISIONS



RWS

ER3309

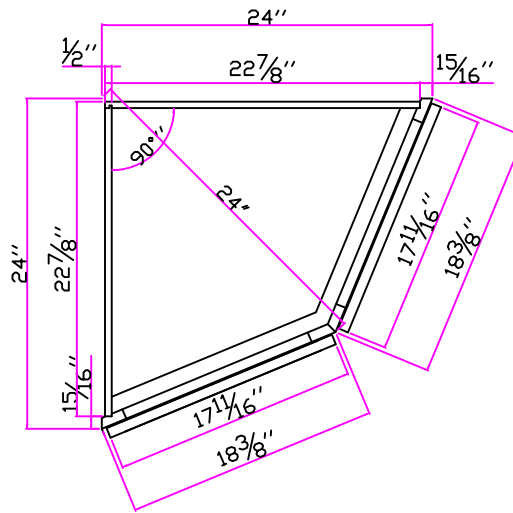
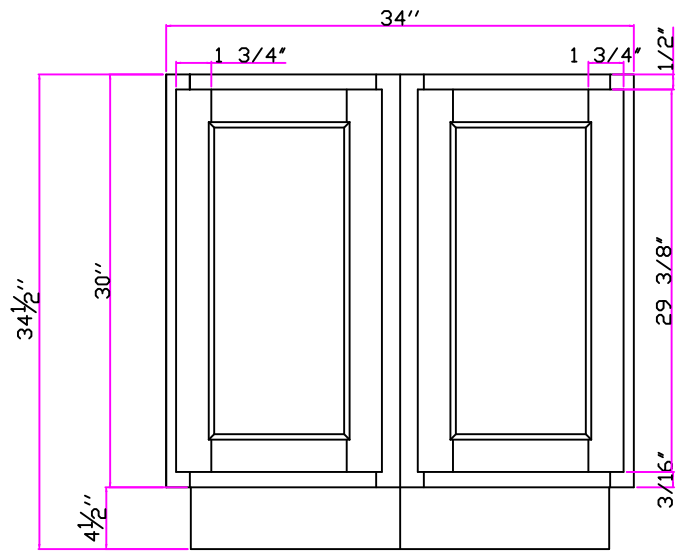


REVISIONS



RWS

DCB3612

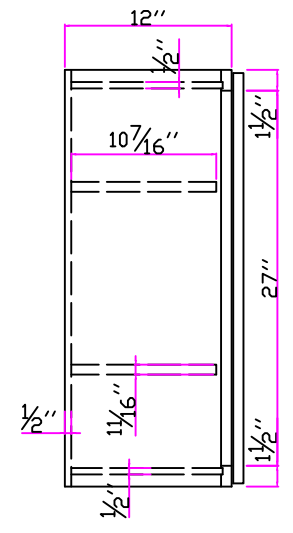
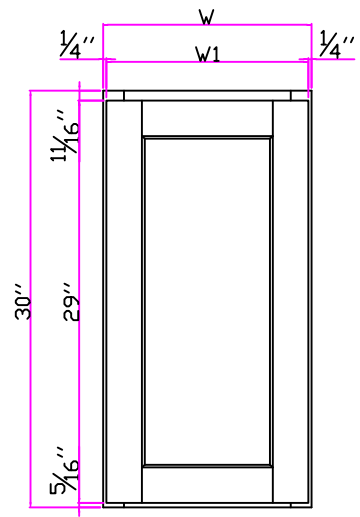


REVISIONS



RWS

BC24

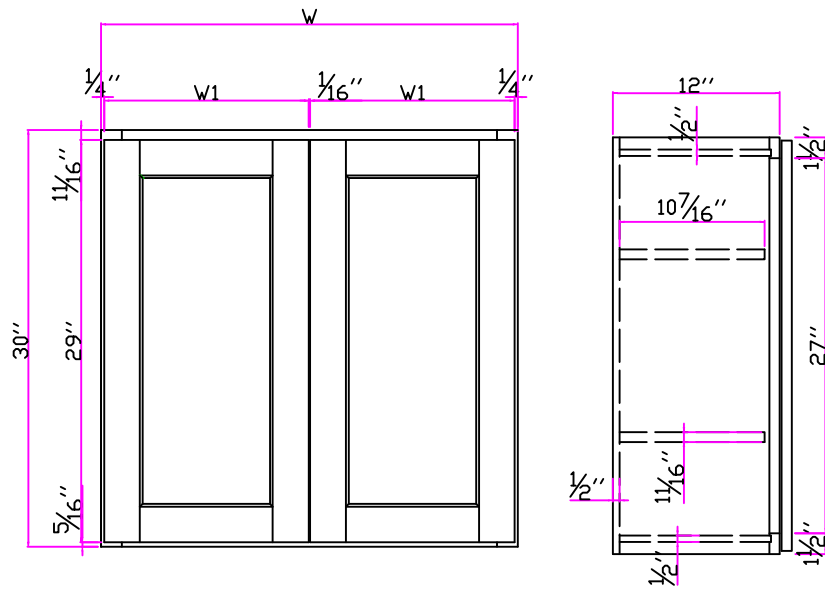


REVISIONS



RWS

W0930-W2130

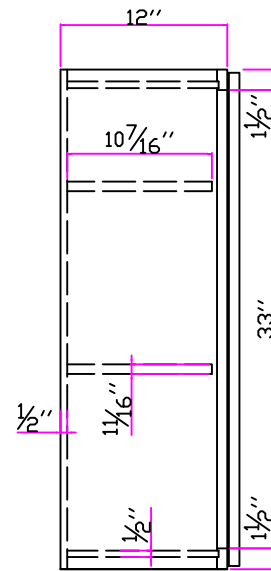
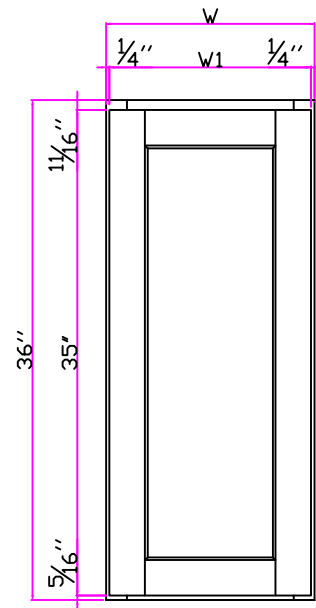


REVISIONS



RWS

W2430-W3630

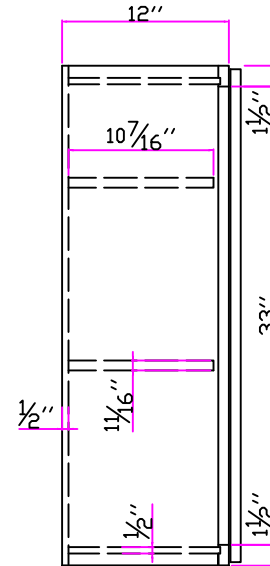
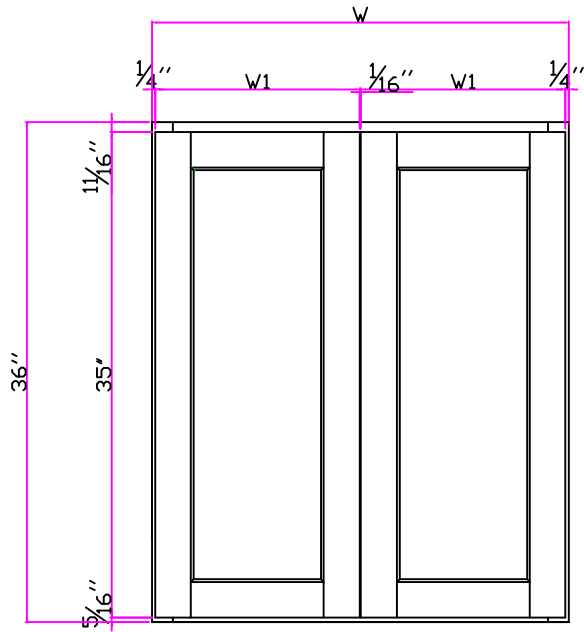


REVISIONS



RWS

W0936-2136

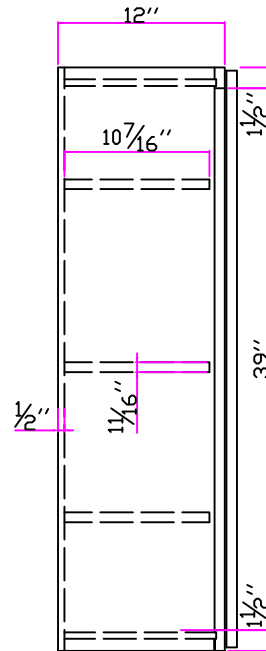
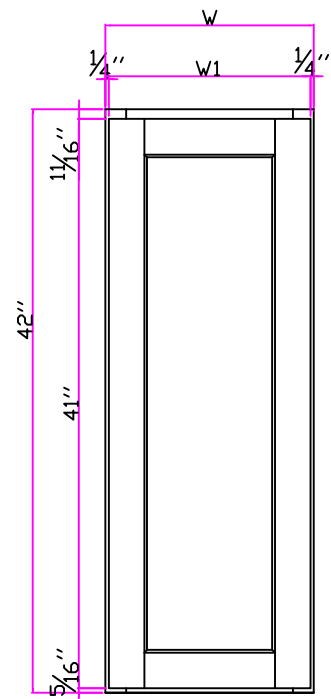


REVISIONS



RWS

W2436-W3636

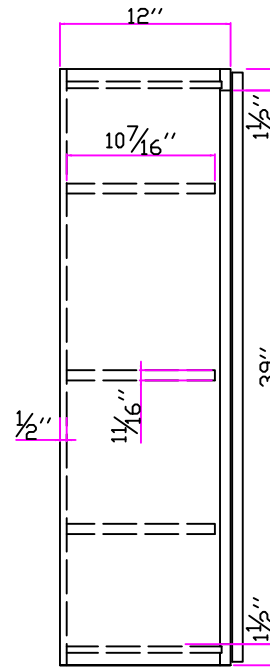
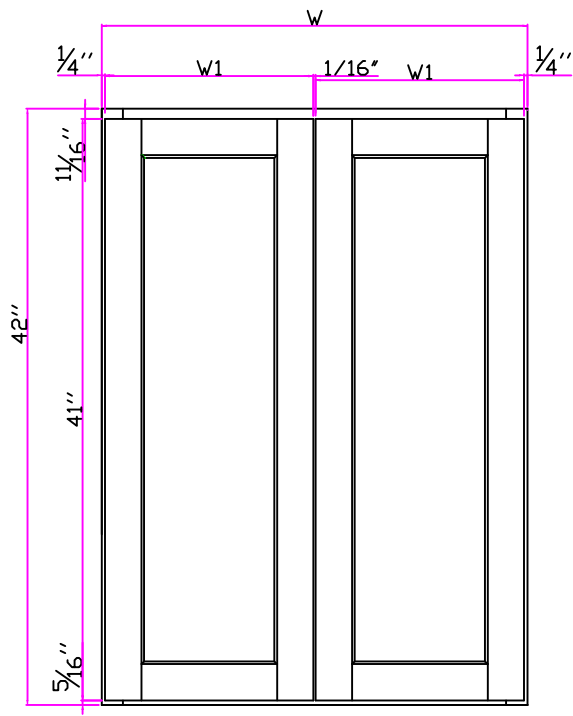


REVISIONS

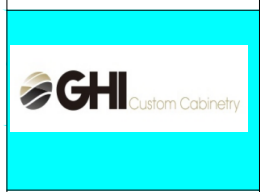


RWS

W0942-W2142

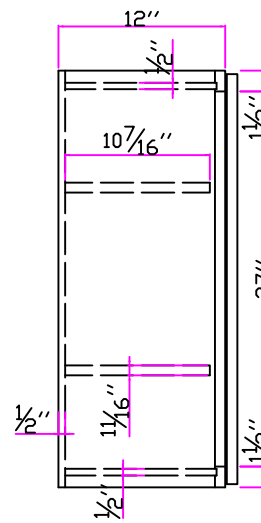
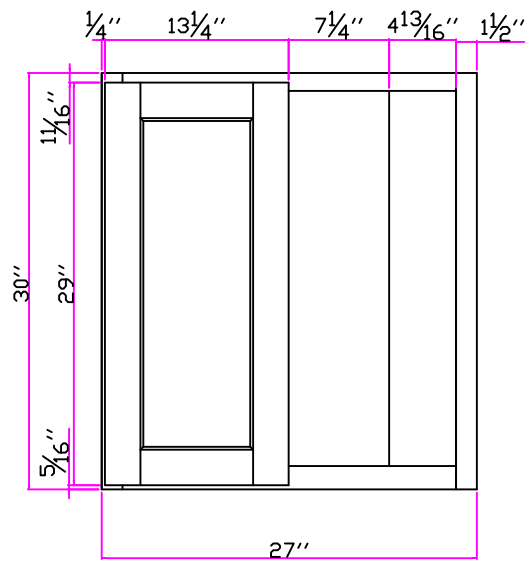


REVISIONS



RWS

W2442-W364

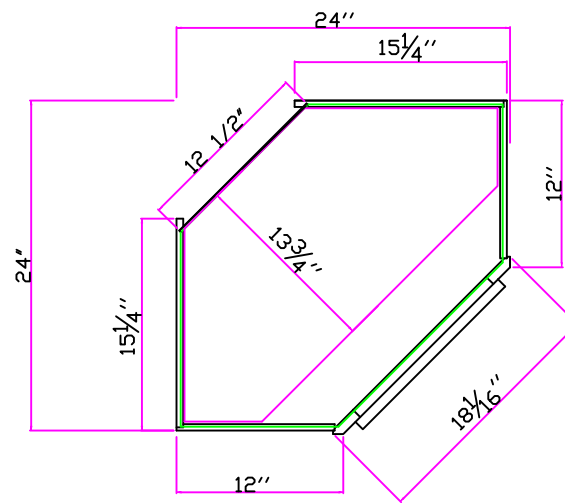
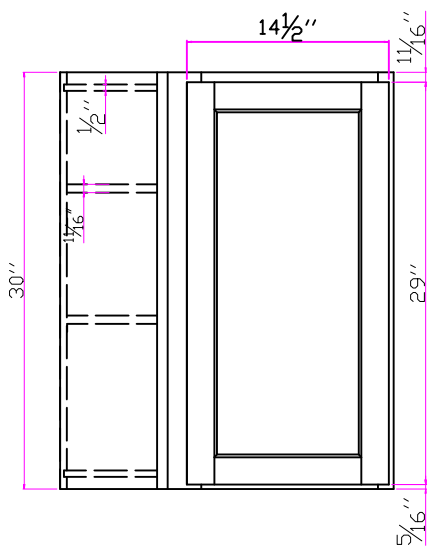


REVISIONS



RWS

WBC2730

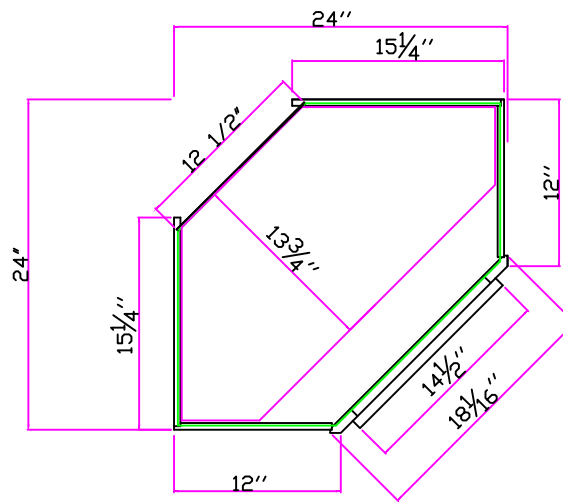
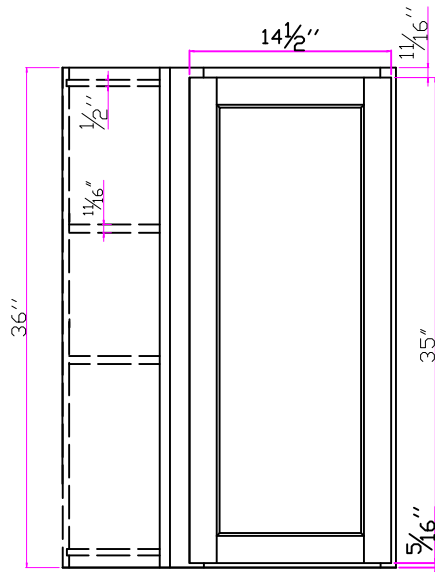


REVISIONS



RWS

WDC2430

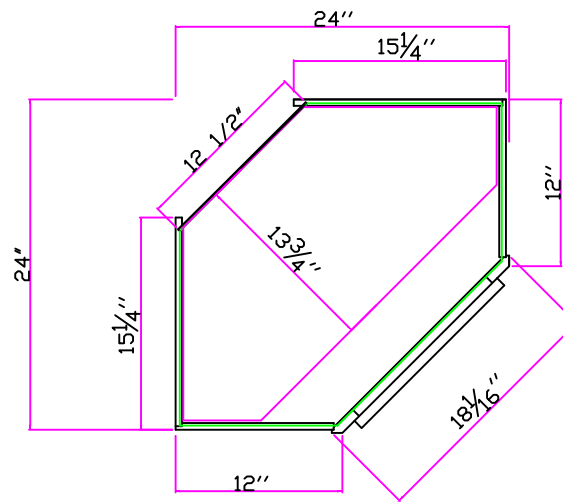
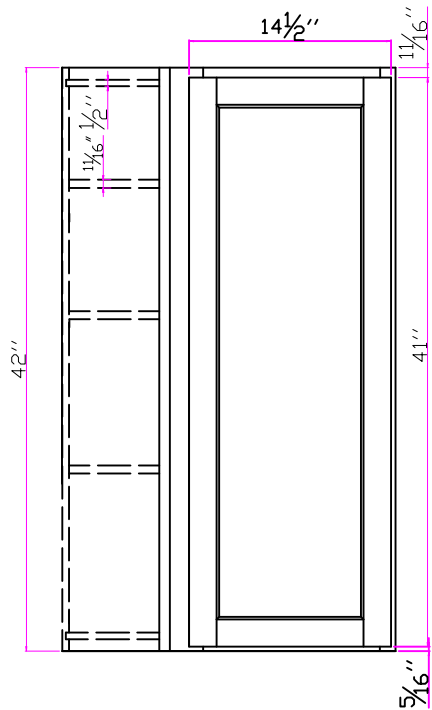


REVISIONS



RWS

WDC2436

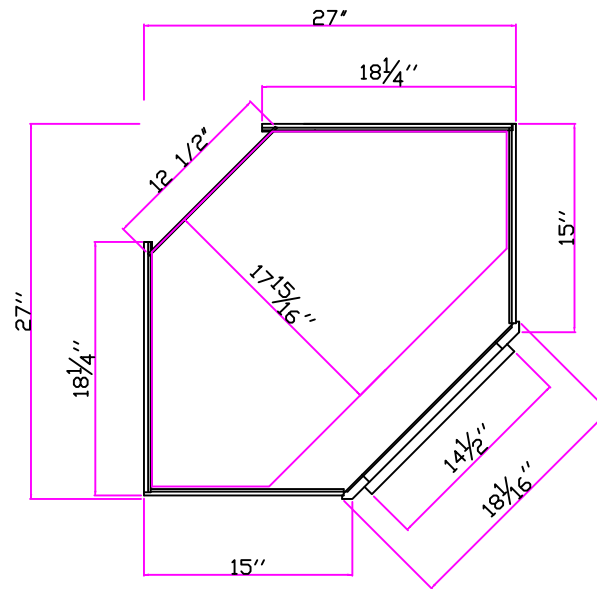
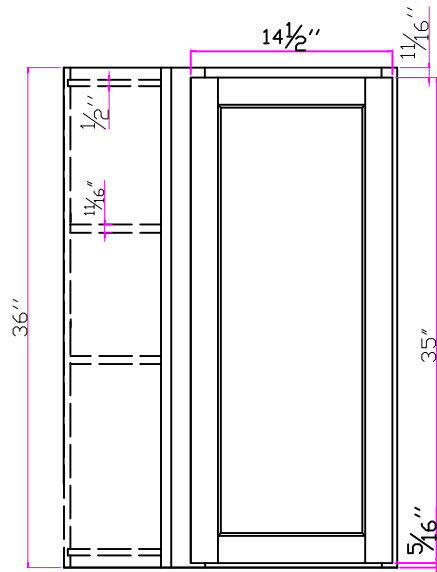


REVISIONS



RWS

WDC2442

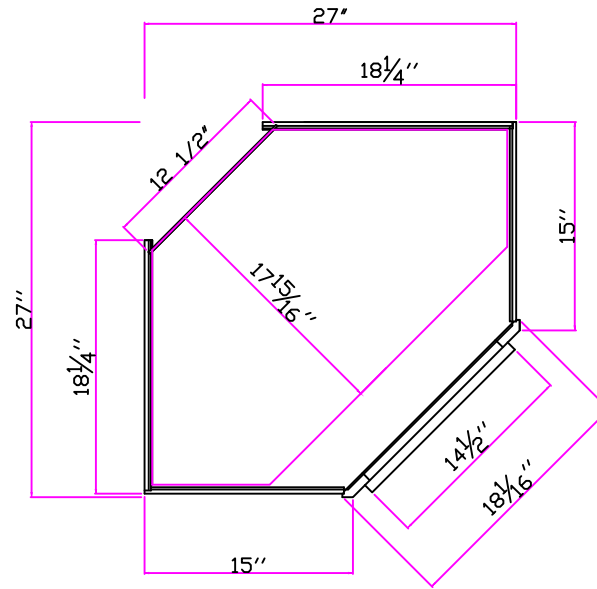
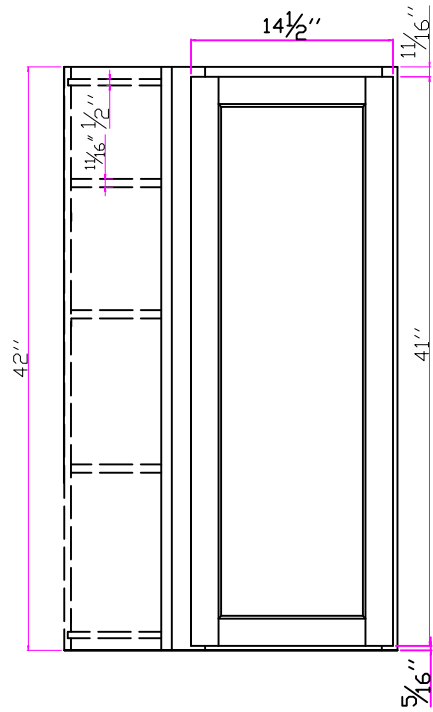


REVISIONS



RWS

WDC2736

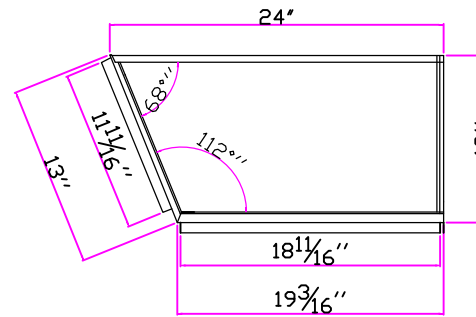
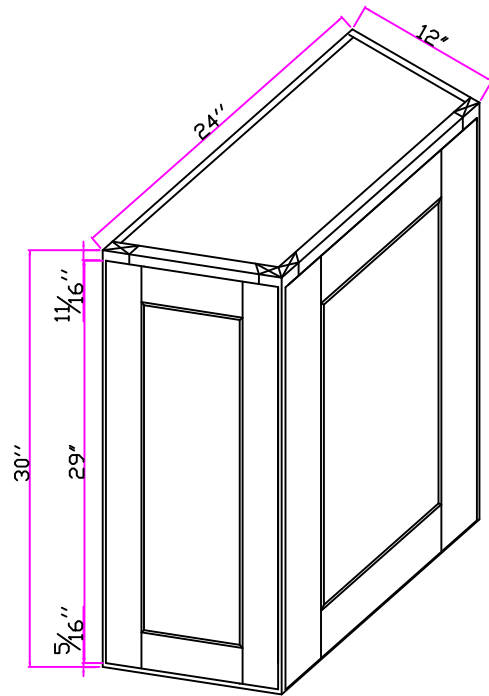


REVISIONS



RWS

WDC2742

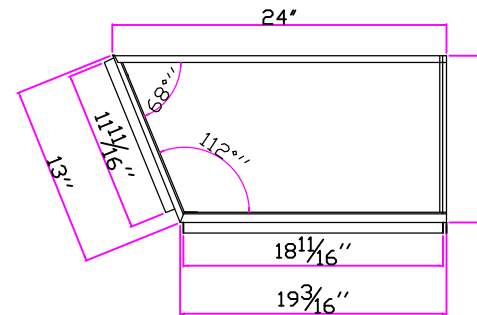
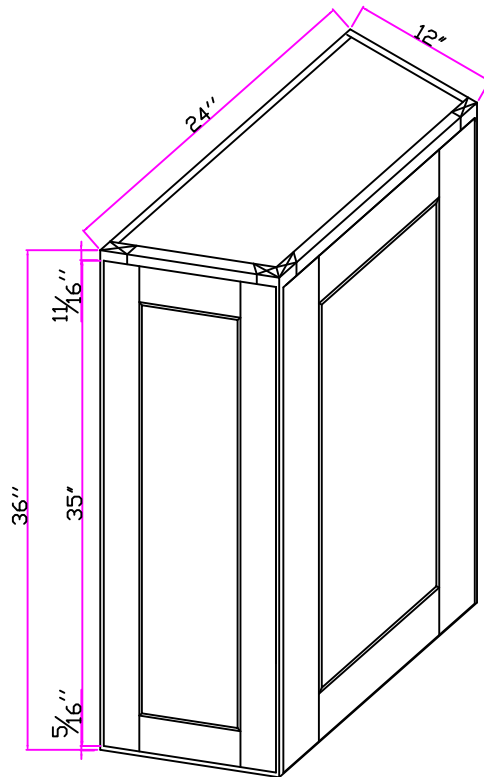


REVISIONS



RWS

WAC2430

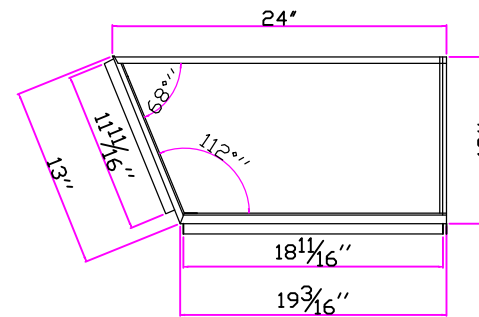
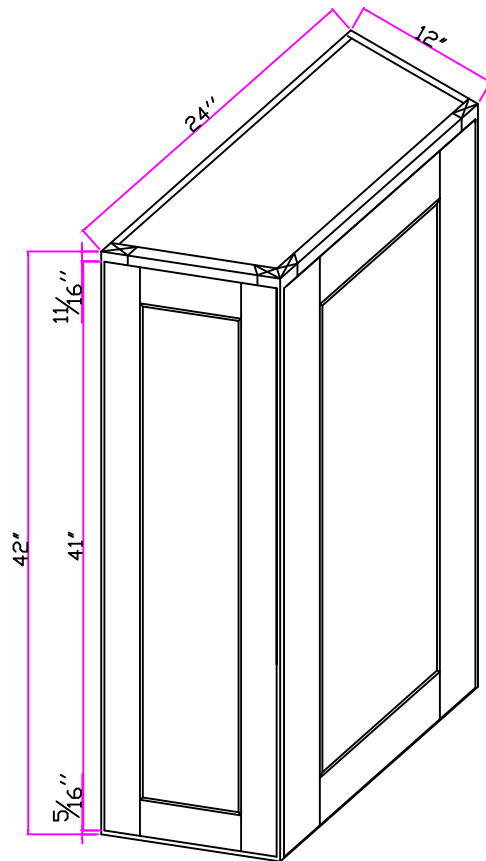


REVISIONS



RWS

WAC2436

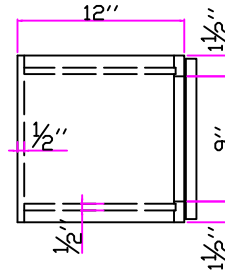
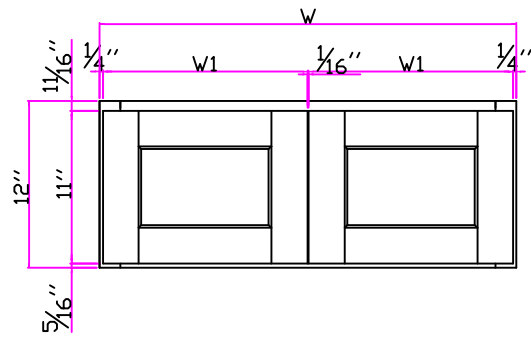


REVISIONS



RWS

WAC2442

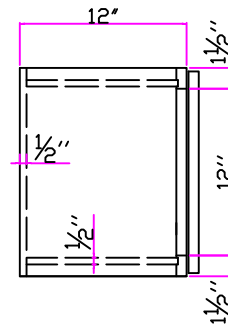
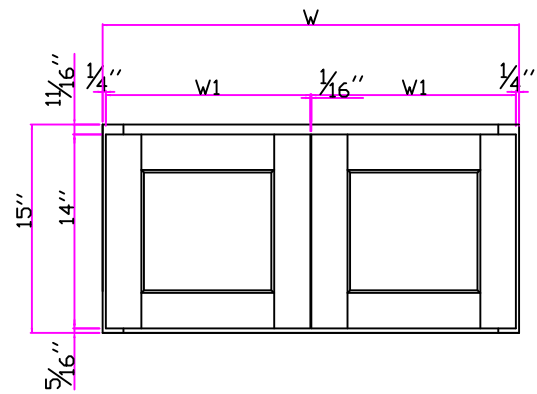


REVISIONS



RWS

W3012-W3612

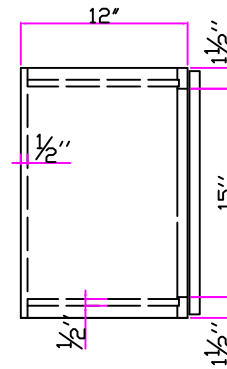
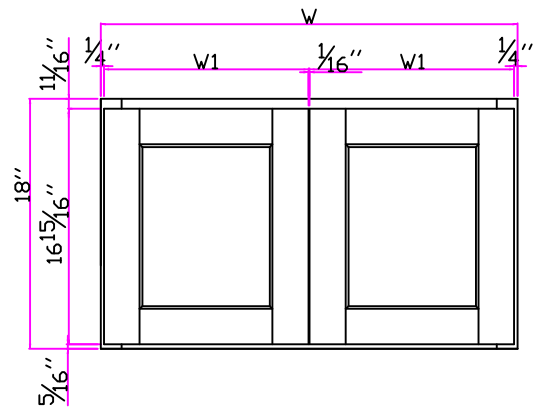


REVISIONS



RWS

W2415-W3615

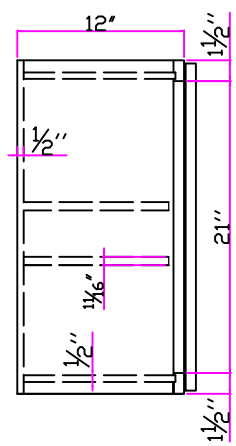
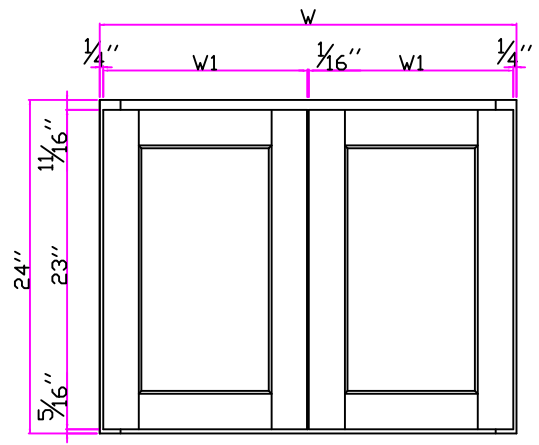


REVISIONS



RWS

W3018-W3618

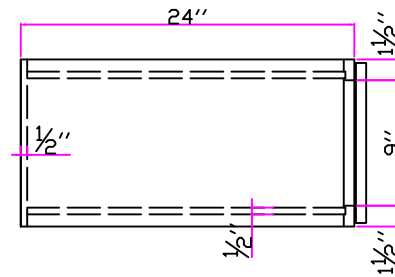
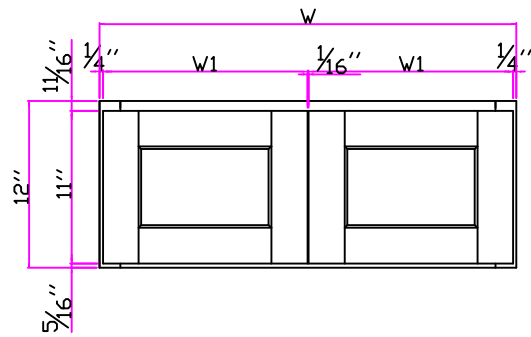


REVISIONS



RWS

W3024-W3624

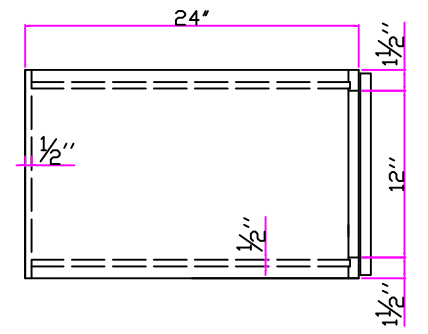
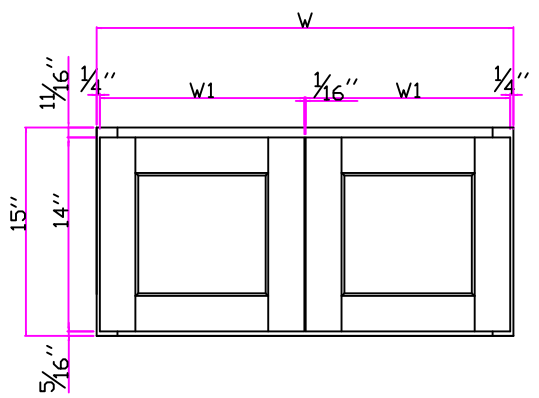


REVISIONS



RWS

W331224
W361224

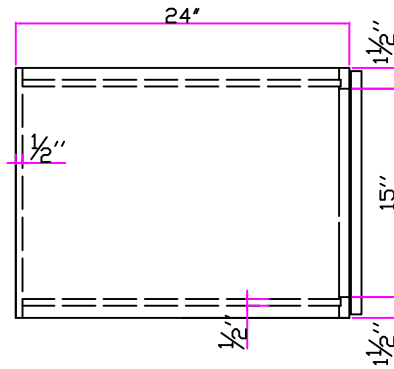
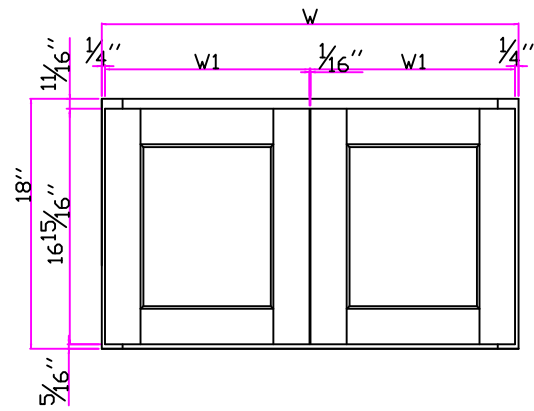


REVISIONS



RWS

W331524
W361524

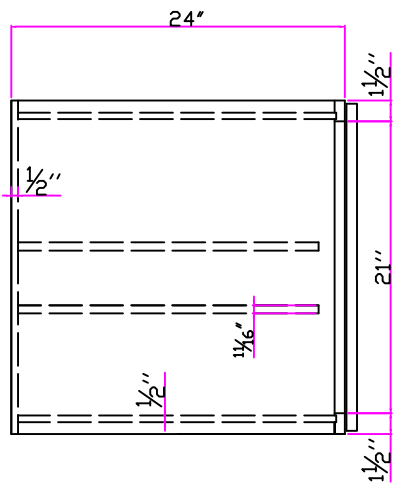
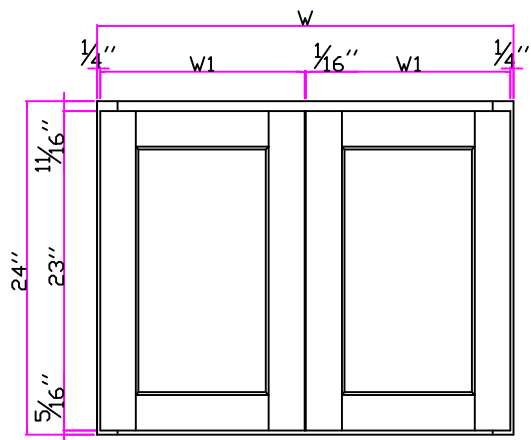


REVISIONS



RWS

W361824

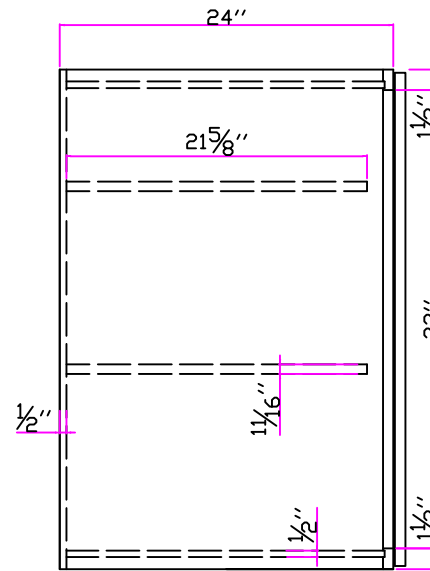
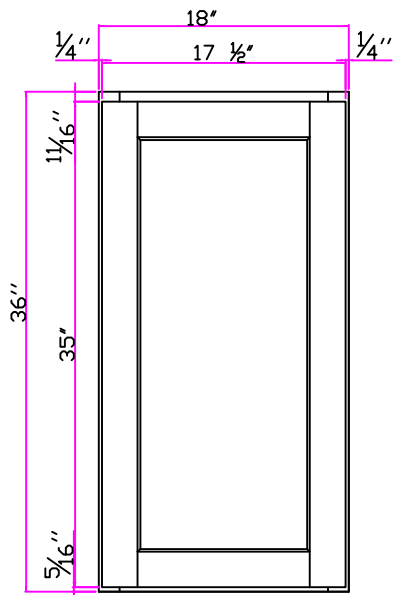


REVISIONS



RWS

W332424
W362424

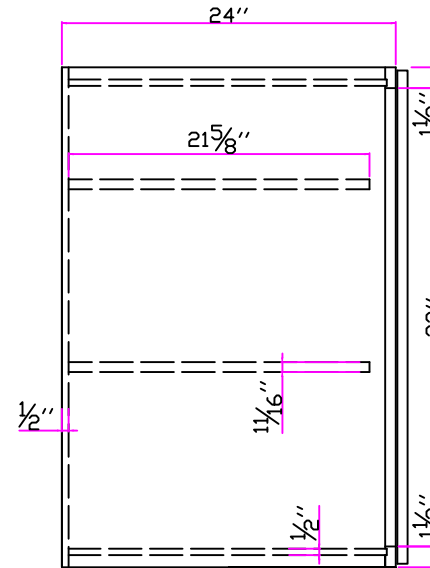
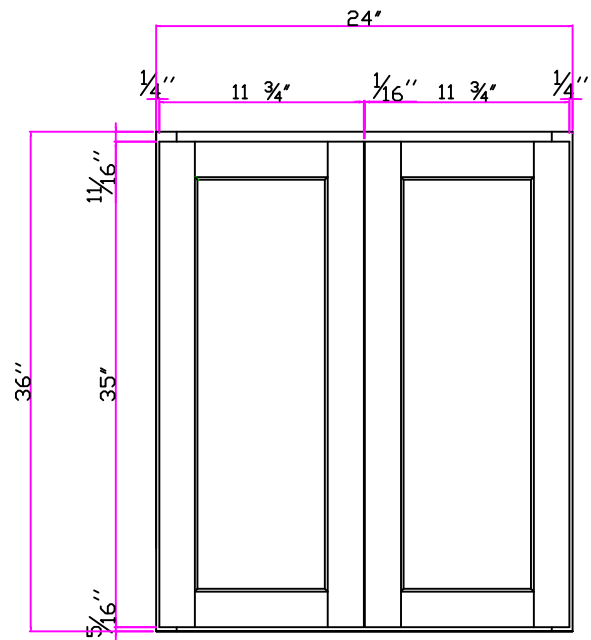


REVISIONS



RWS

W183624

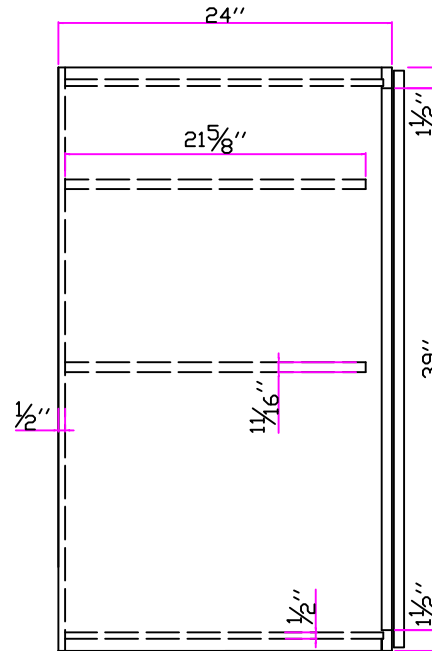
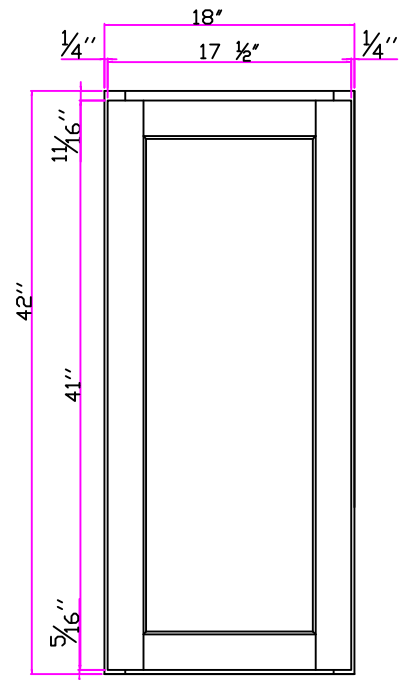


REVISIONS



RWS

W243624

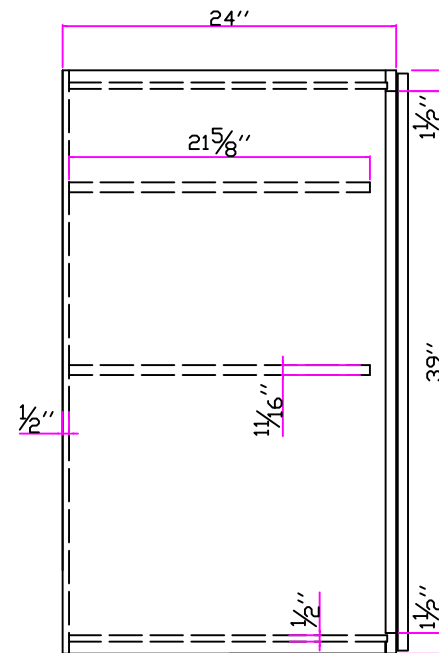
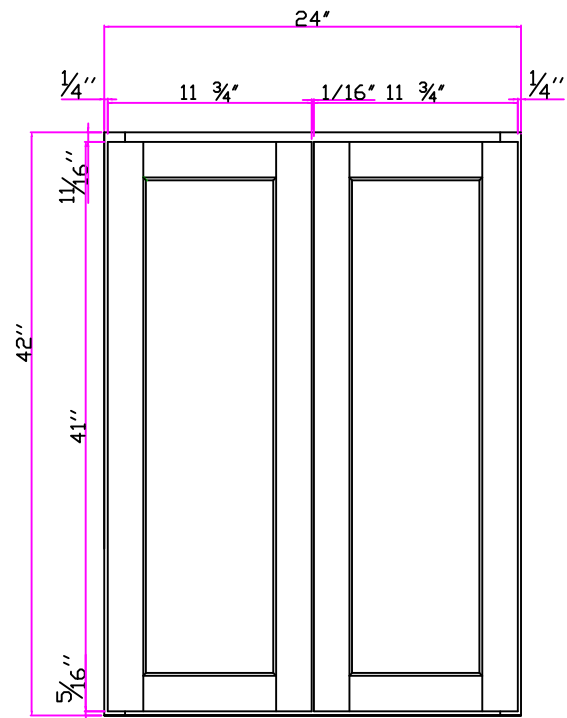


REVISIONS



RWS

W184224

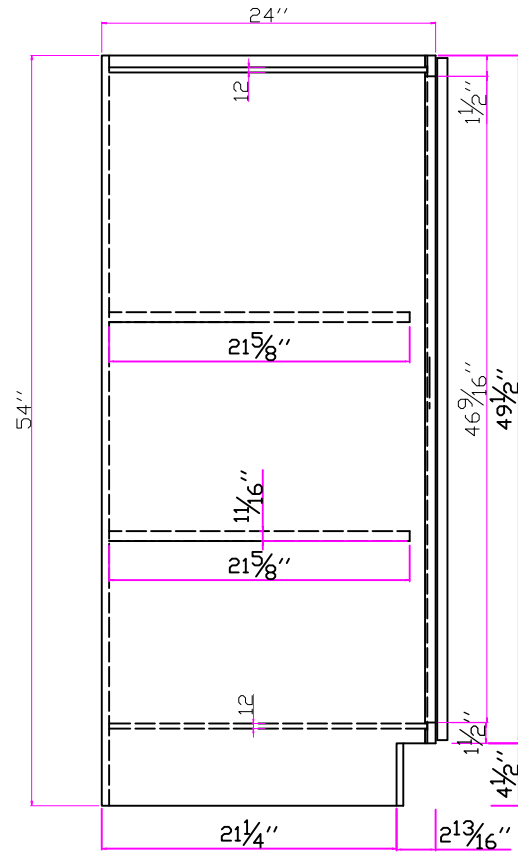
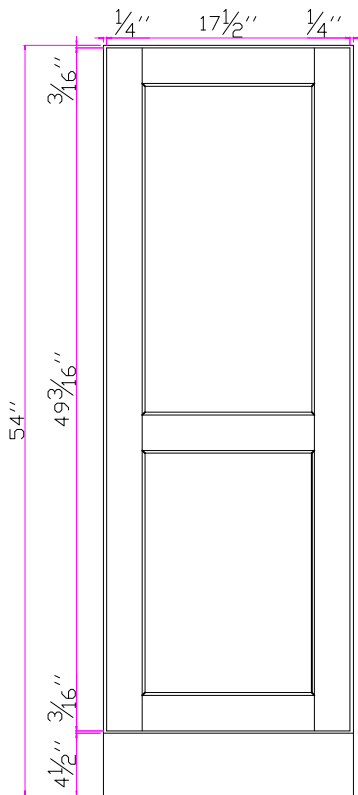


REVISIONS



RWS

W244224

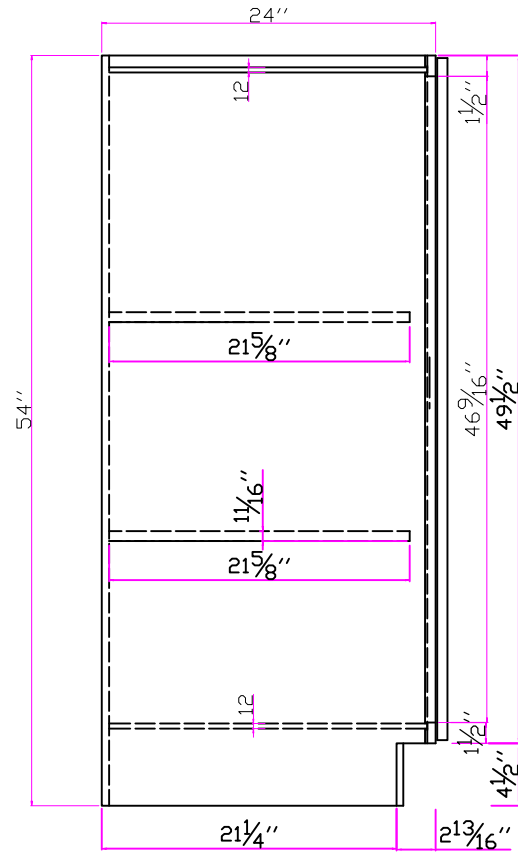
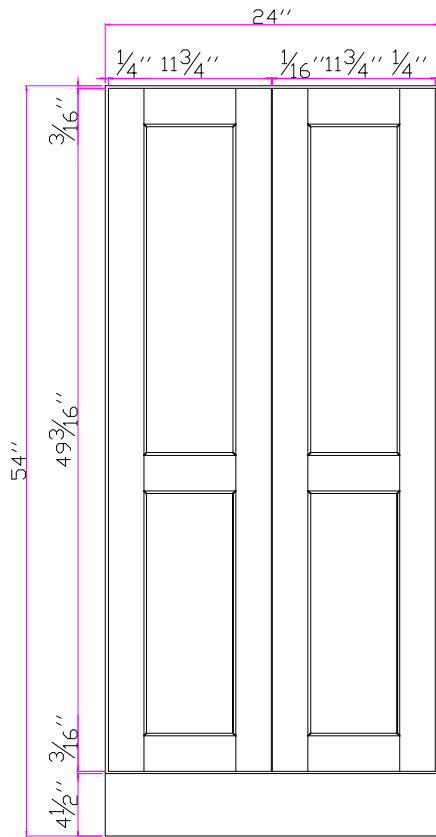


REVISIONS



RWS

UCB1854

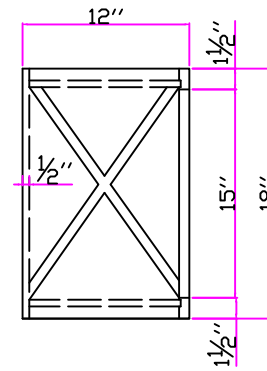
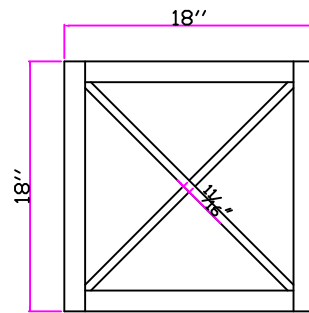


REVISIONS



RWS

UCB2454

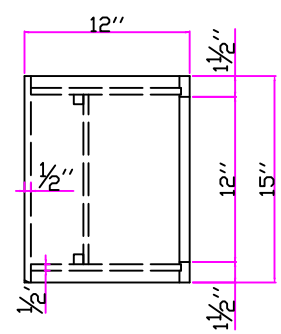
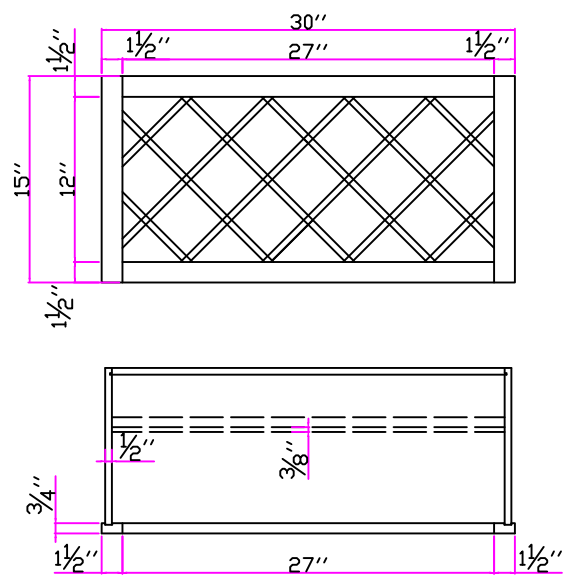


REVISIONS



RWS

WR1818

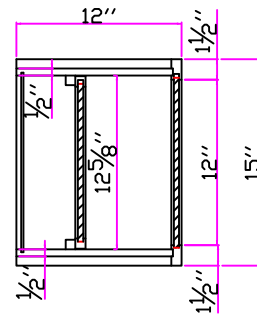
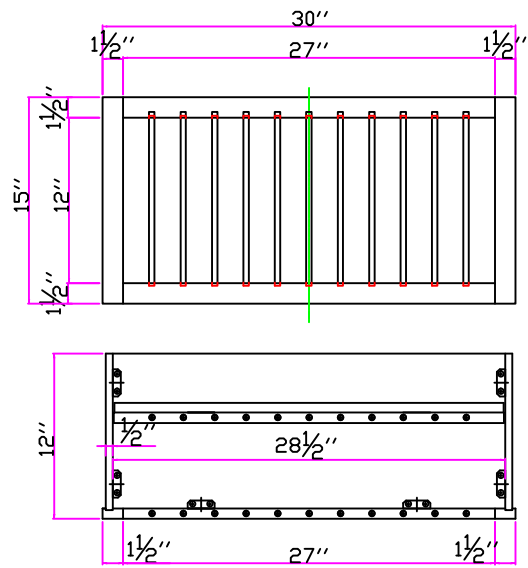


REVISIONS



RWS

WR3015



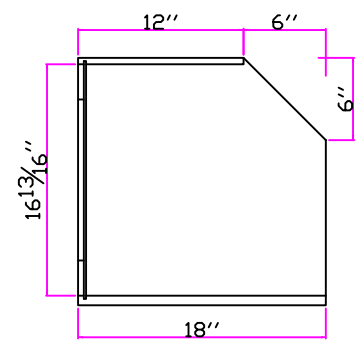
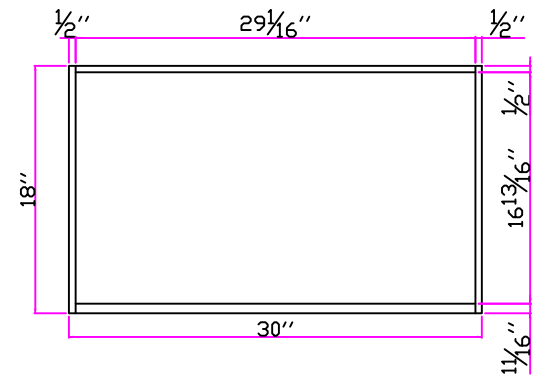
REVISIONS



RWS

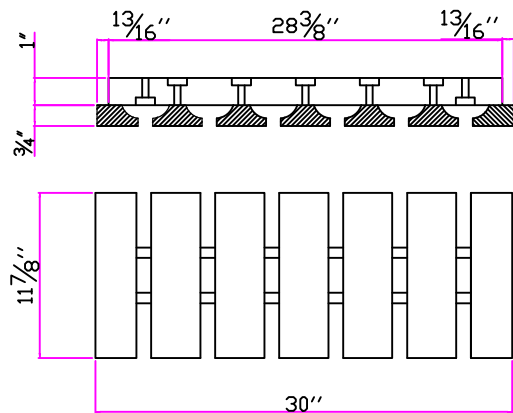
PR3015

REVISIONS



RWS

MC3018

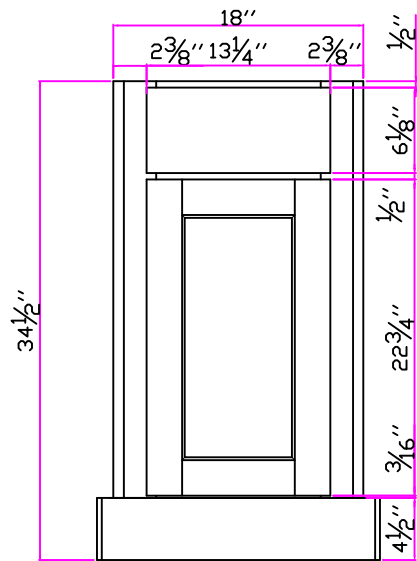


REVISIONS



RWS

SGH30



REVISIONS



RWS

CSF36

